

Phase 1 Hardware Developments

Lou McFadin, W5DID

Sergej Samburov, RV3DR

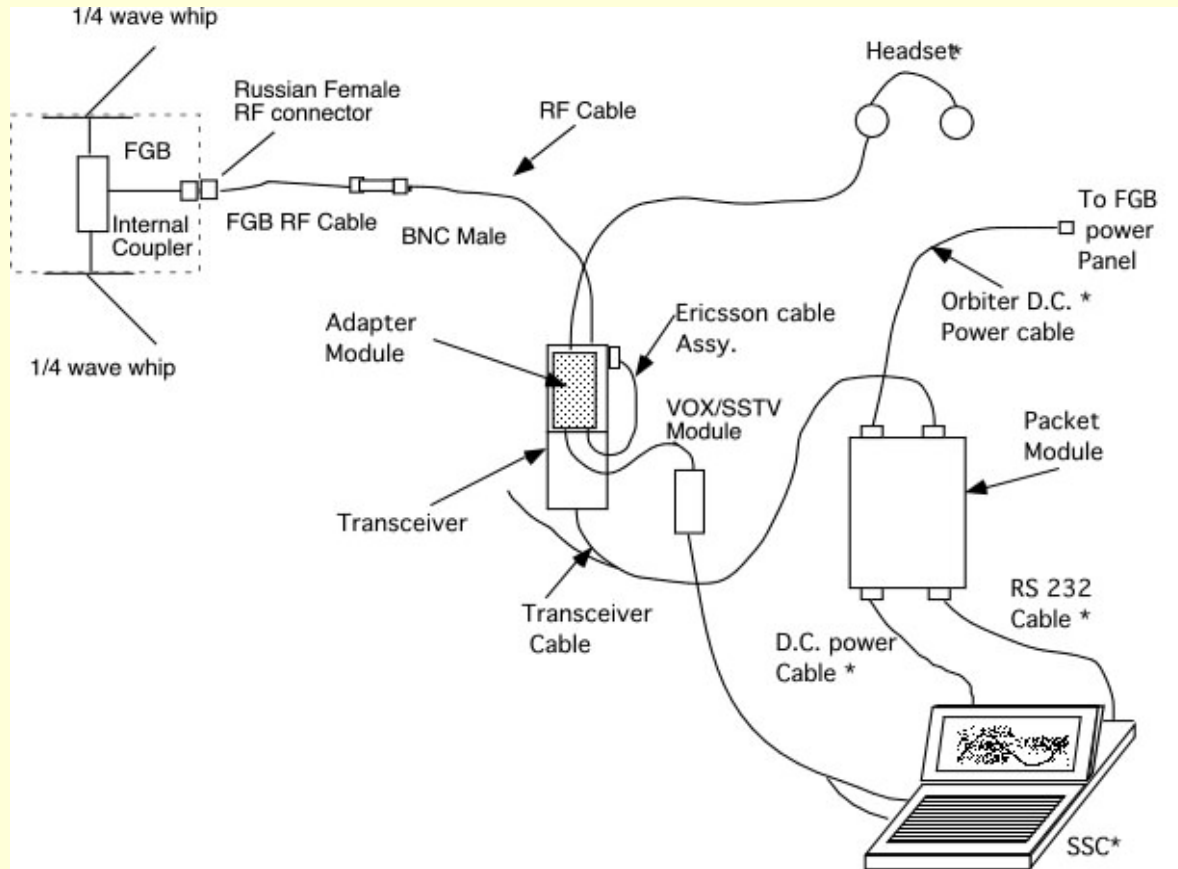
SSTV

- Software
 - Software development complete without networking and Russian nomenclature.
 - New Russian computer presents a problem in that we have no way to verify that the software will function properly.

SSTV Cont.

- Hardware
 - Circuit boards complete.
 - Prototypes distributed.
 - Flight Housings painted and awaiting nomenclature application.
 - Assembly awaiting completed housings.

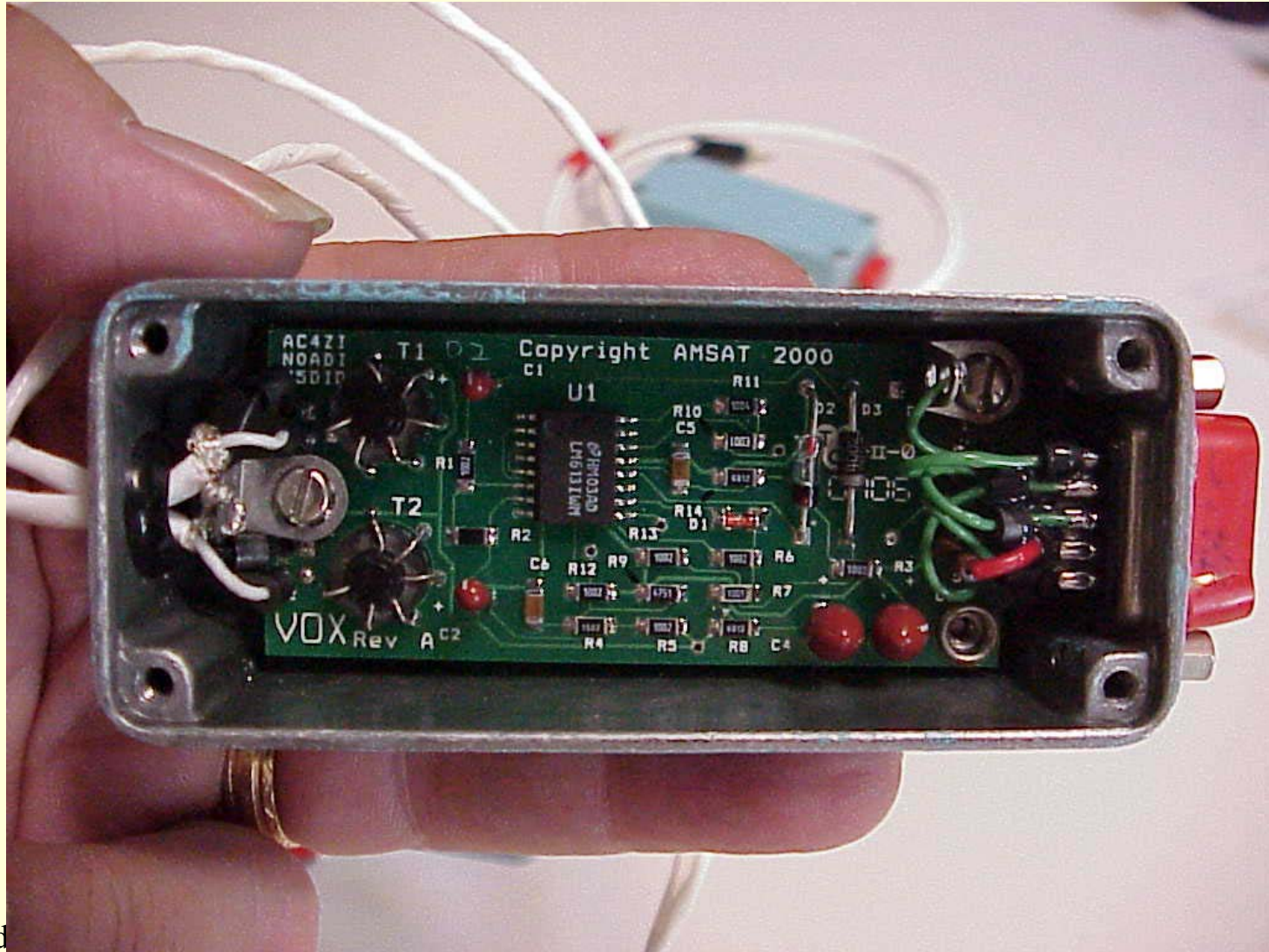
SSTV Connection diagram



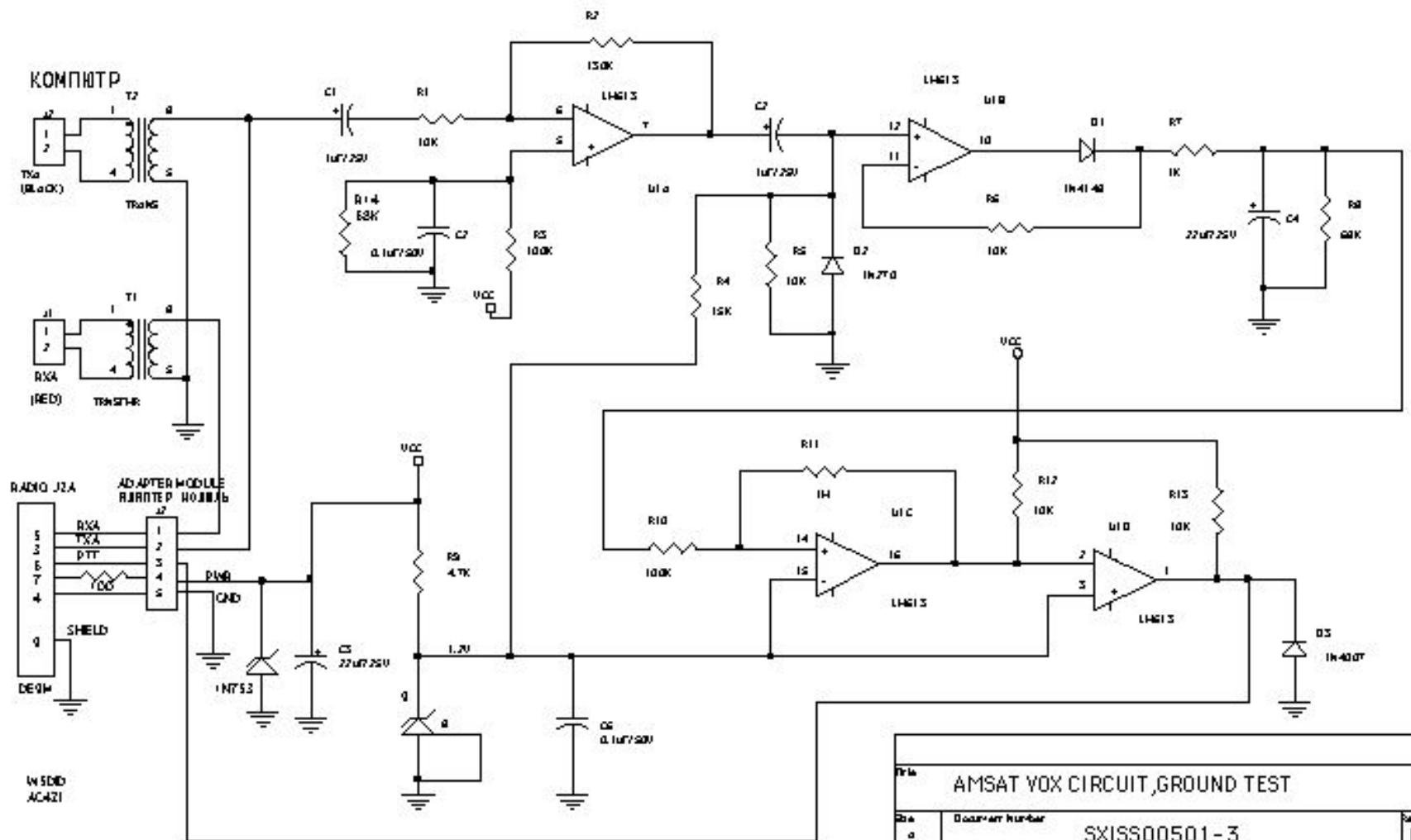
Hi Fidelity Training SSTV unit



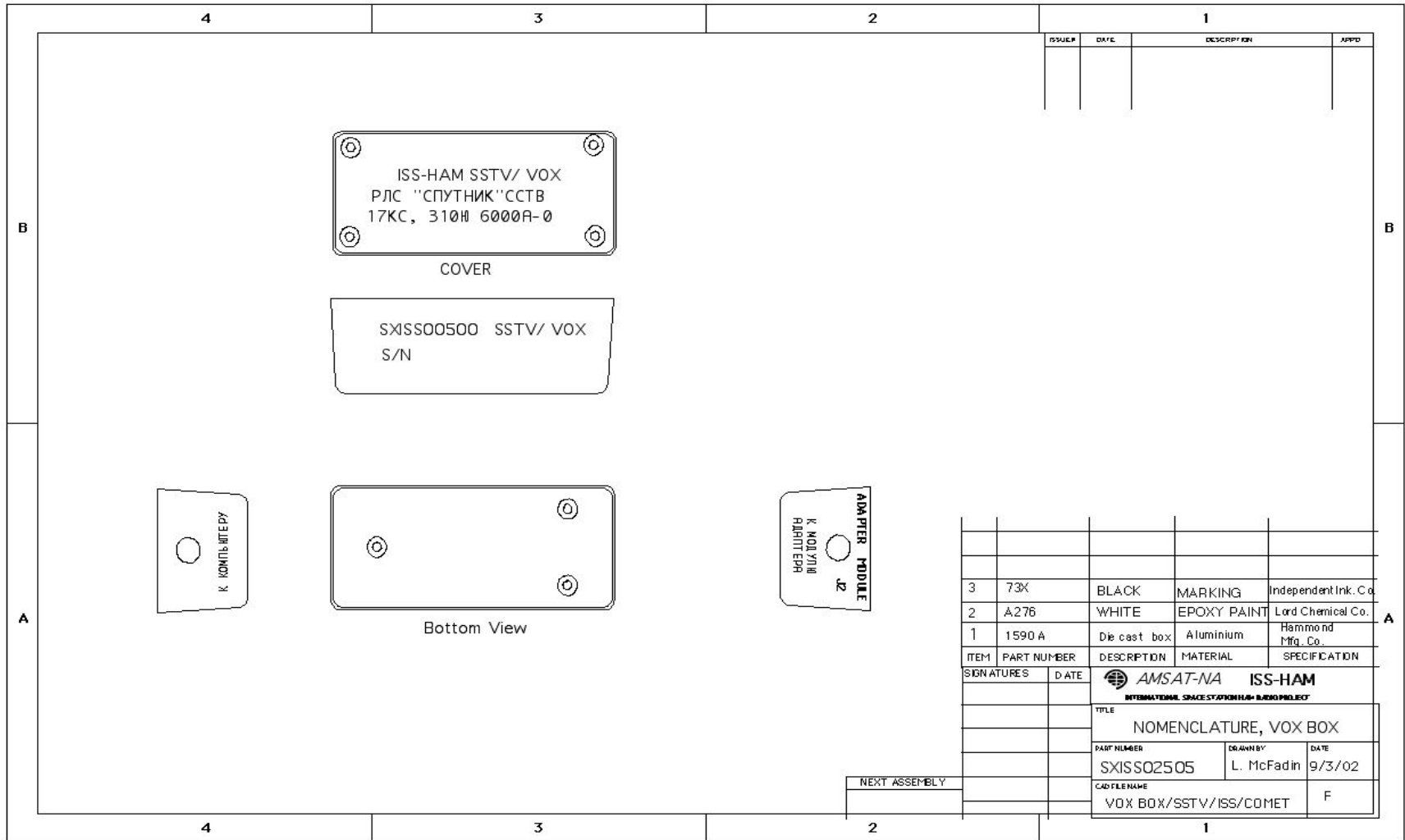
Inside Module



AMSAT VOX/SSTV INTERFACE



| | | |
|--------------------------------|---------------------------|--------------|
| Title | | |
| AMSAT VOX CIRCUIT, GROUND TEST | | |
| Doc. # | Doc. # or Number | Rev. |
| a | SXISS00501-3 | B |
| Date | Sunday, November 04, 2000 | Sheet 1 of 1 |



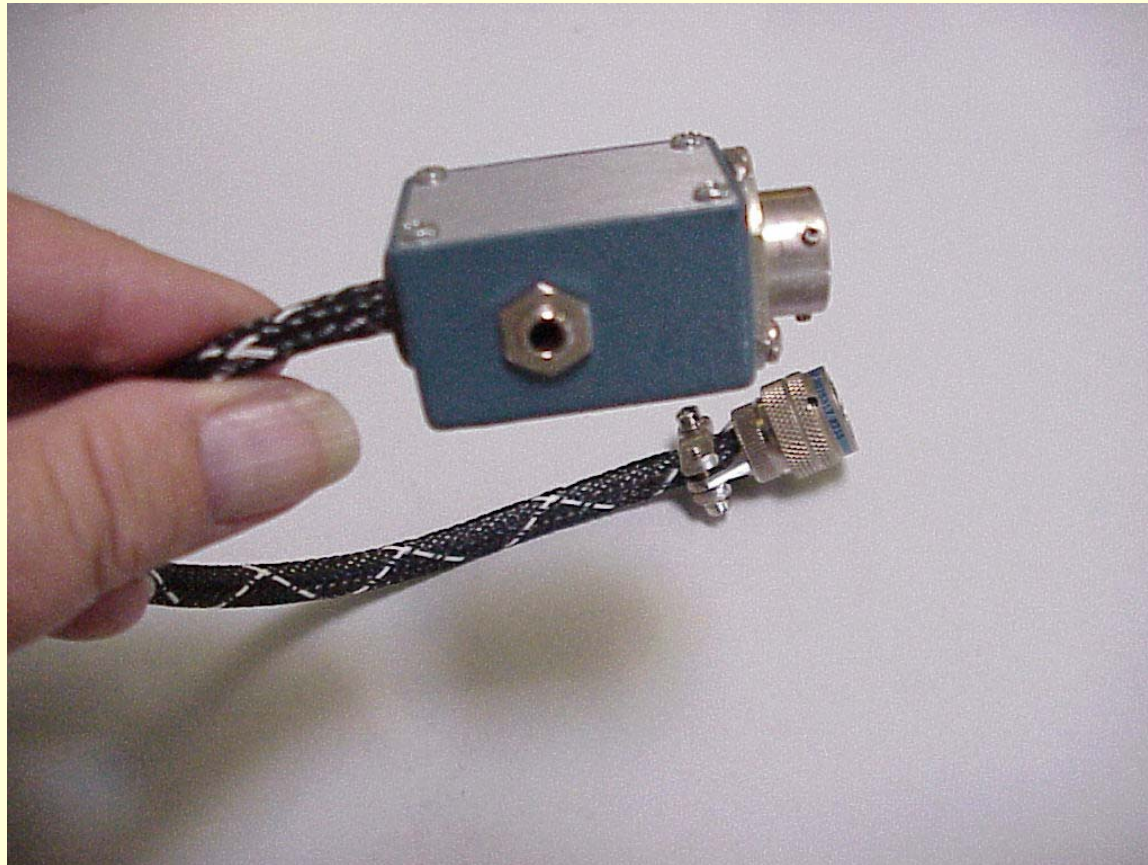
Speaker cable

- Prototype complete
- Tests with speaker amplifier successful.
- Housings complete and ready for painting.

Sony Speaker



Speaker Cable



Schematic

