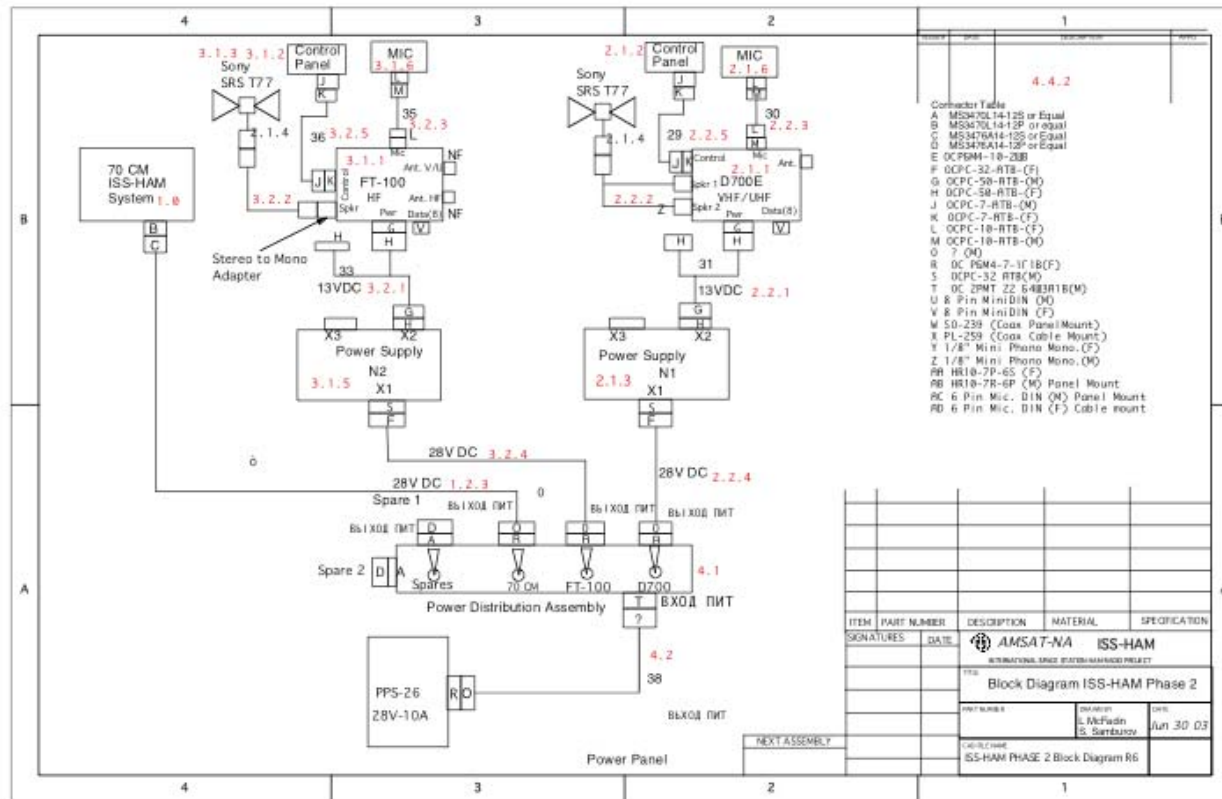


What is next on ISS Phase 2

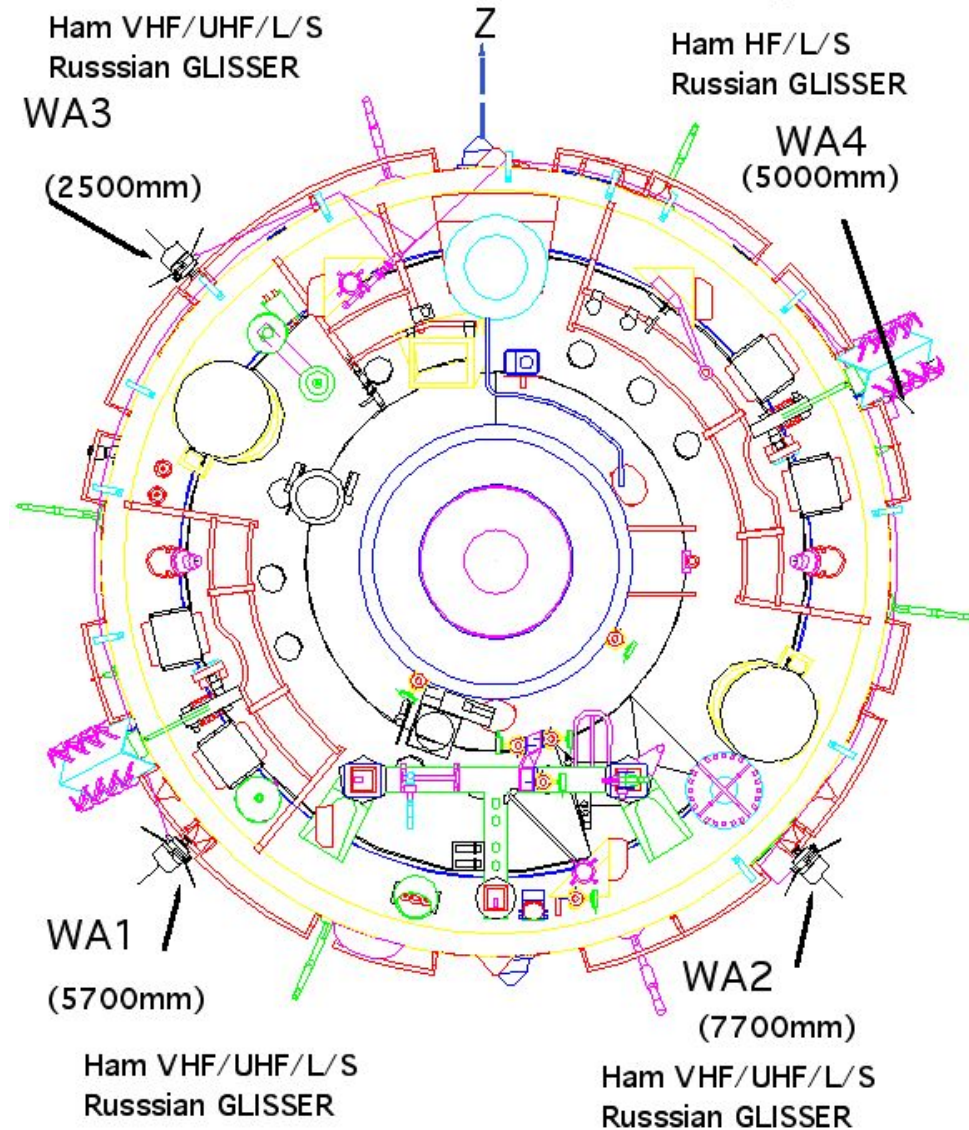
- Send up the FT100 and it's cables
 - FT 100
 - RF Cables (13)
 - FC 30 Tuner
 - Tuner Cable
- SSTV Hardware and Software
- Power Switching Assembly

Phase 2 Block Diagram

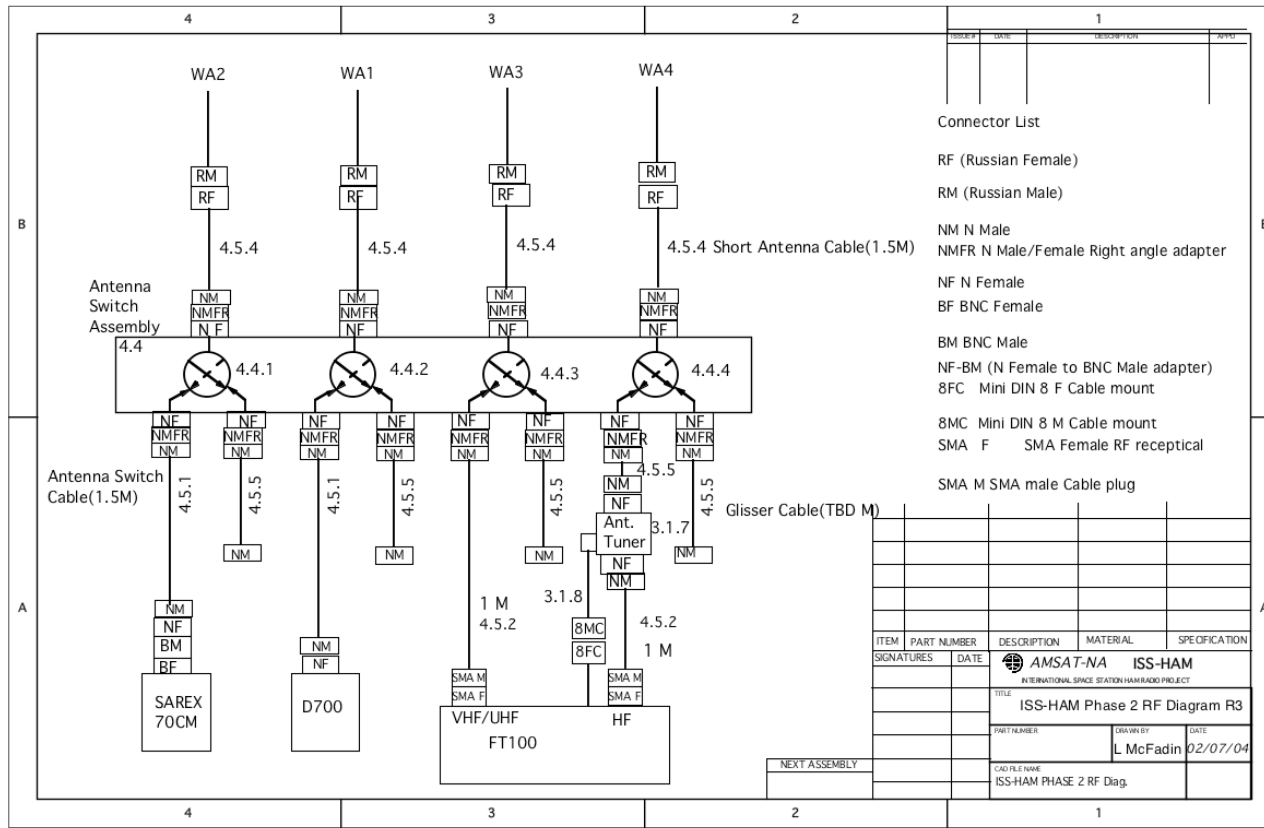


SM Antennas

ISS-HAM Antennas and Usage



Phase 2 RF Cables



Antenna Switch



Table



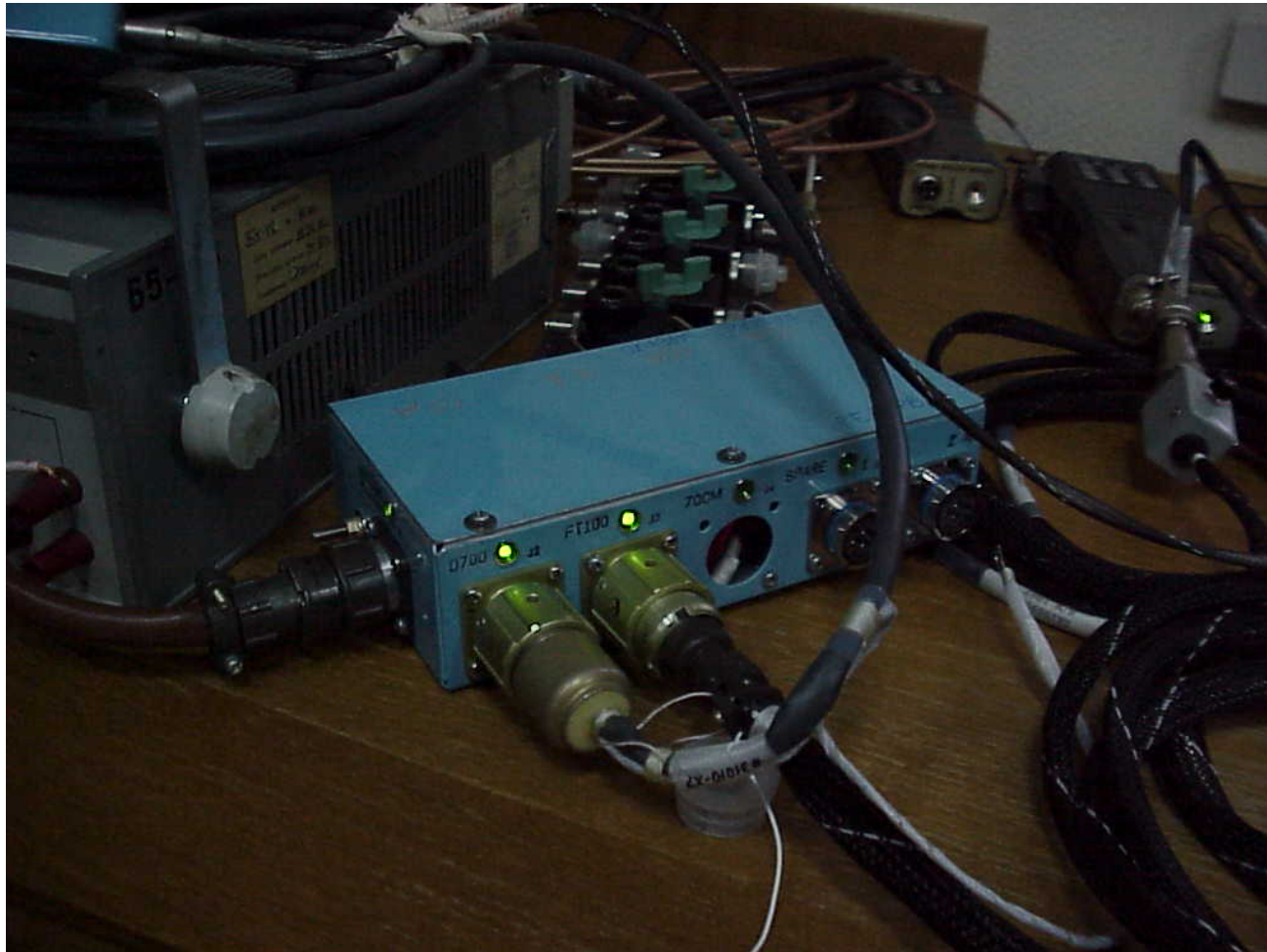
Table (Side View)



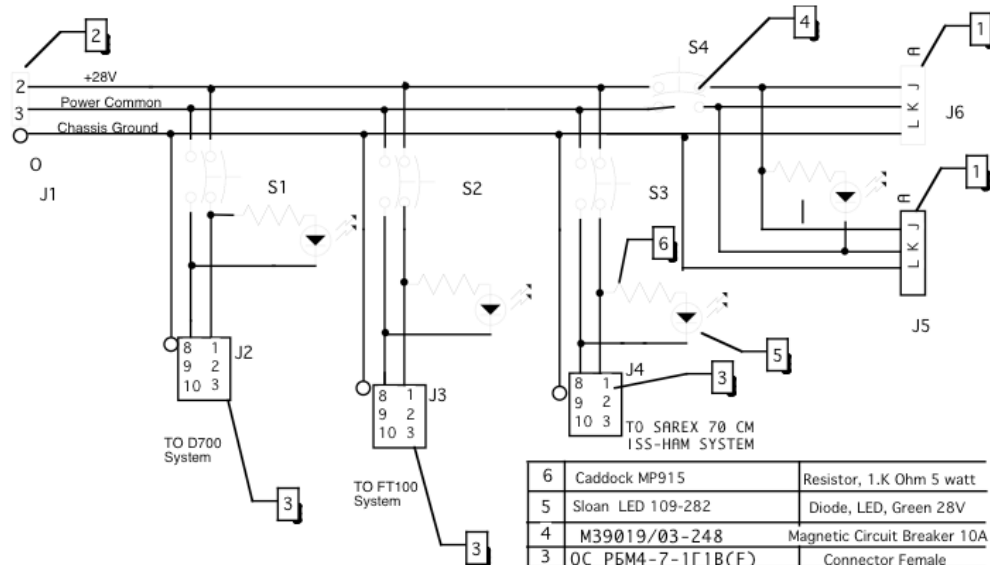
Table with Equipment



Power Switching Assembly



PSA Schematic



Circuit Breaker Specifications

- 1 Fully Sealed Magnetic
- 2 Two Pole Hook Terminals
- 3 Series Configuration
- 4 D.C.,50/60Hz,400Hz, Short Time Delay
135% Trip
- 5 10.0 Ampere

6	Caddock MP915	Resistor, 1.K Ohm 5 watt
5	Sloan LED 109-282	Diode, LED, Green 28V
4	M39019/03-248	Magnetic Circuit Breaker 10A
3	0C P5M4-7-1G1B(F)	Connector Female
2	0C 2PMT 22 B4W3A1B(M)	Connector Male
1	MS3470L14-12S or Equal	Connector Female

Project

Amateur Radio on International Space Station

Title

ISS-HAM Phase 2 System Power Distribution

Part Number	Drawn By L.W. McFadin S. Sambourov	Date 30 JUN 03
File Name DC Power distribution	Approved	Size B