



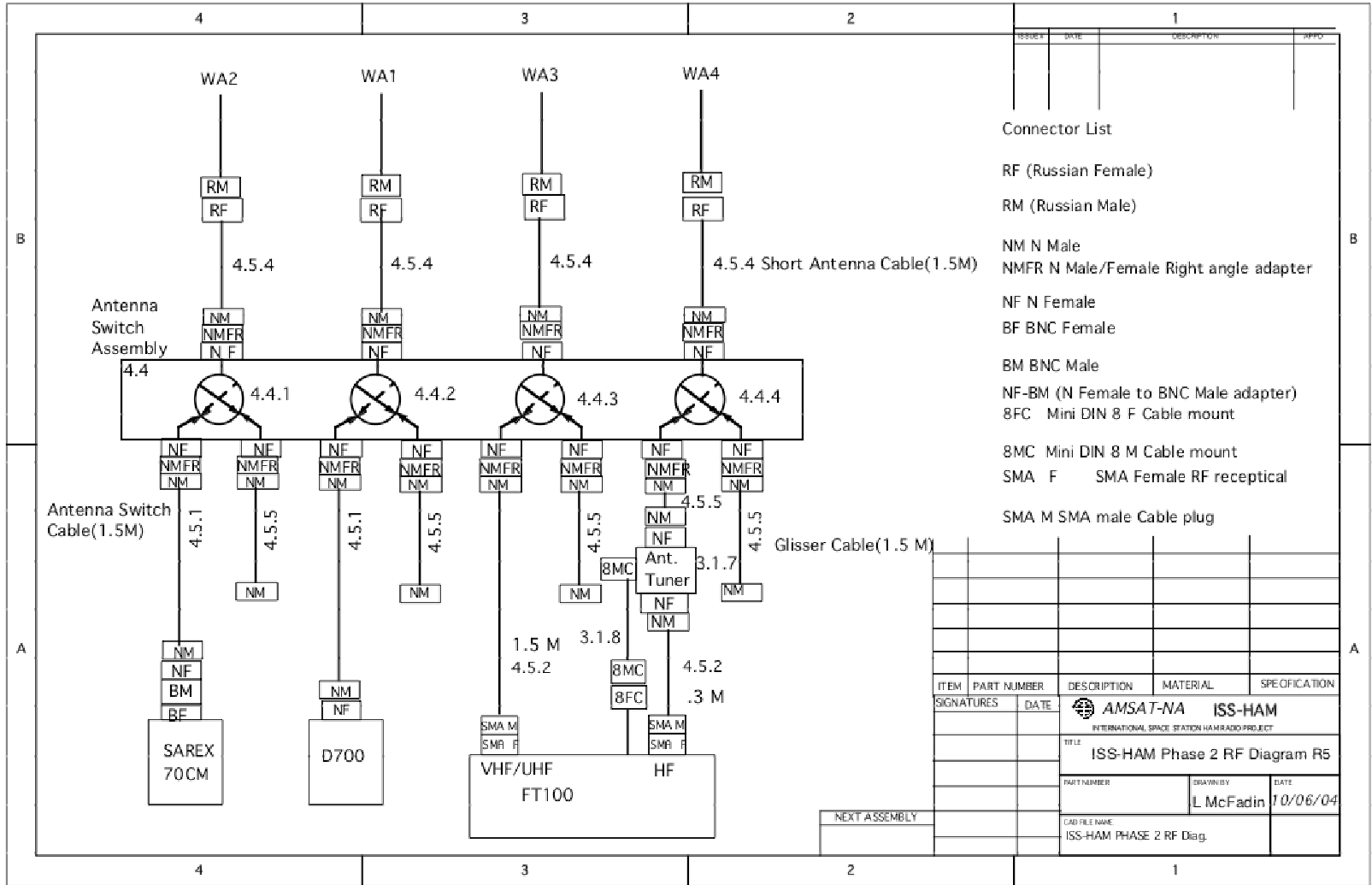
Phase 2 Hardware development status

Open Items



Open Items

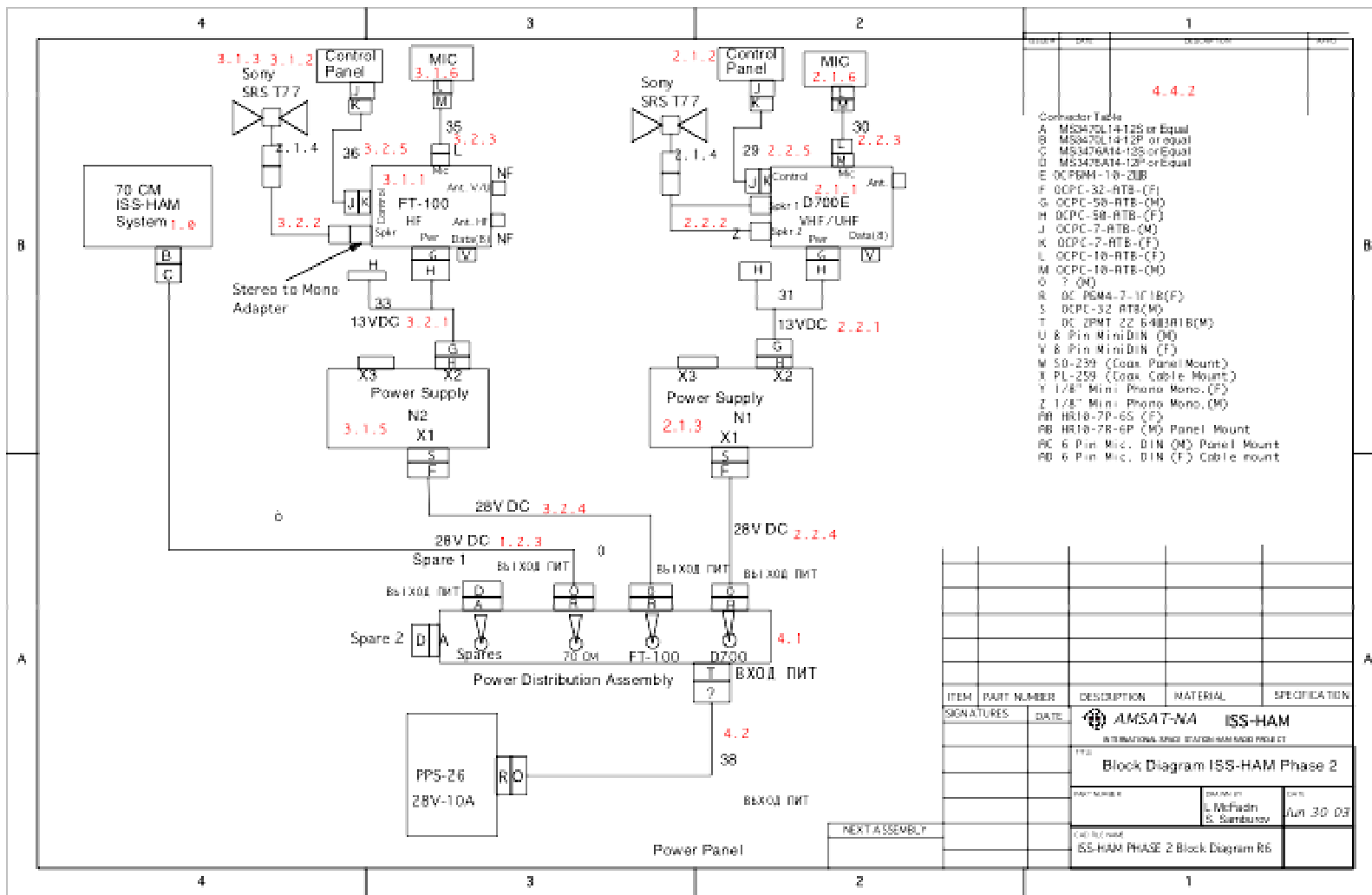
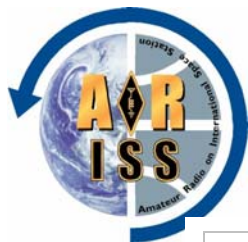
- RF Cables
- FT100
 - Lower power output
 - Antenna Control Cable
 - Certification
 - Outgas Test
 - Programming
 - Frequency selection
 - Parameter settings





Power Switching Assembly

- Circuit modified during meeting Oct 6
- Connector Changed
- Russian Connector delivery schedule
- Certification ?
 - By whom?
 - Tests required?





Power Switching Assembly

- Change Circuit breakers to switches
- Add Master Circuit Breaker
- Remove one U.S. Power connector and Add Russian 3.5 A connector





Power Cable

- Who will supply the main power cable?
- Russian connectors on each end.
- Who will need to certify it?



SSTV Module

- Ready for Outgas Testing and Flight





Software

- Needs to be manifested



Speaker Cable

- Complete awaiting Outgas testing and certifications.

