

# ISS-HAM Columbus Module Power Supply

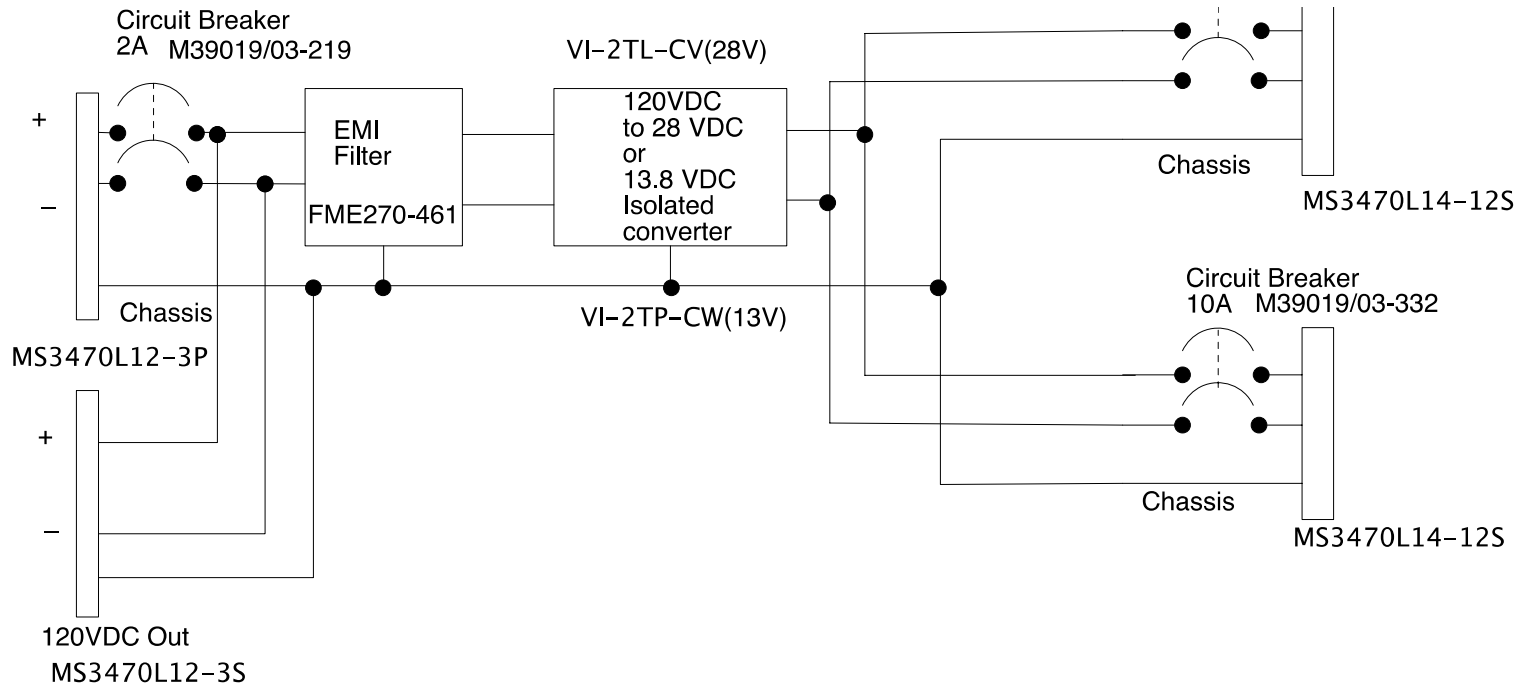
# Requirements

- Power the D700 from the Columbus module 120VDC power source that is available.
- 2. Provide a pass thru connector for the 120VDC so that another device could share the same power outlet.
- 3. Provide at least two switched power outlets
- 4. Meet the Columbus module specification COL-RIBRE-0164\_1-B.
- 5. Leverage off the design of the Black box power supply that is already onboard
- 6. Replace the series pass transistor with two mil-spec circuit breakers.

# Kenwood D700



# Power supply block diagram



W5DID  
5 sep 2011

# Black Brick Schematic

