



# ISS Hardware Status



# Currently onboard

- Phase 1 70CM system consisting of the following:
  - Packet Module 2 each
  - Ericsson 70CM transceiver
  - Ericsson 2M transceiver
  - Adapter Module 2 each
  - Power module 2 each
  - Headset 1 each
  - 5 Associated cables x 2sets
- Phase 2 Components consisting of the following:
  - D700E Transceiver
  - D700 Control panel
  - Russian control panel cable
  - 2 Russian Power supplies
  - D700 Microphone
  - Russian microphone cable
  - Antenna switch panel
  - Ham radio Table
  - SSTV Module
  - SSTV D700 Interface cable
  - SSTV Computer Cable



# First shipment phase 2





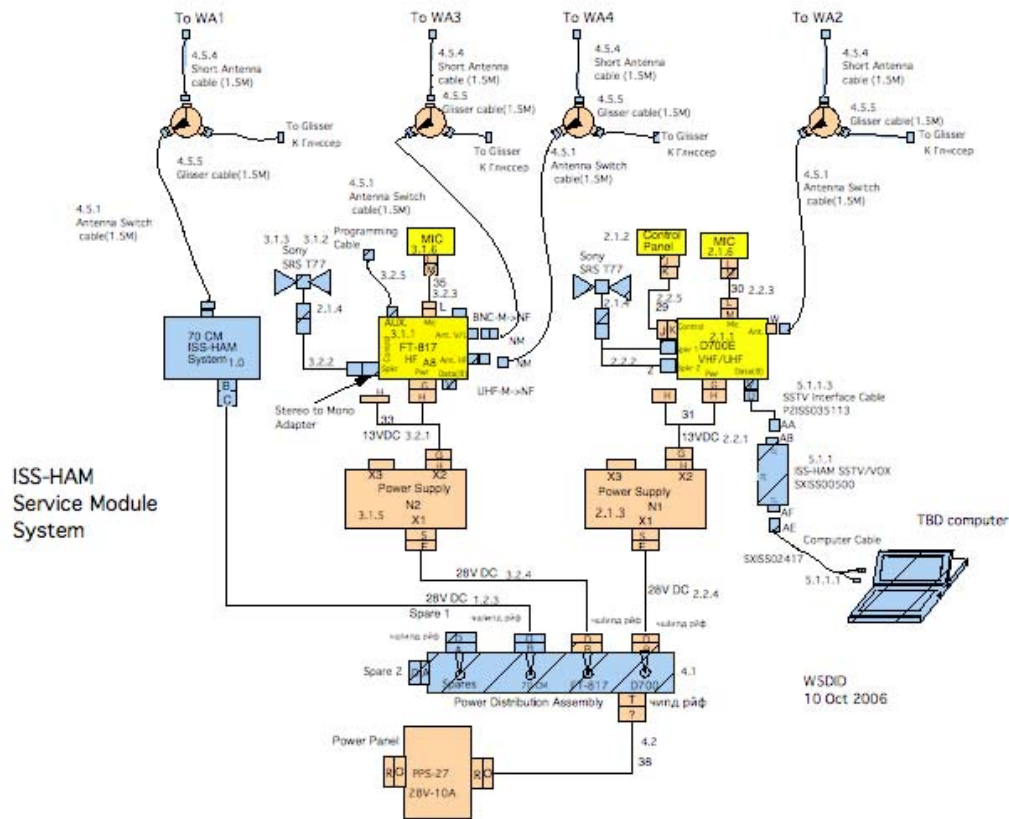
## Phase 2 Equipment cont.





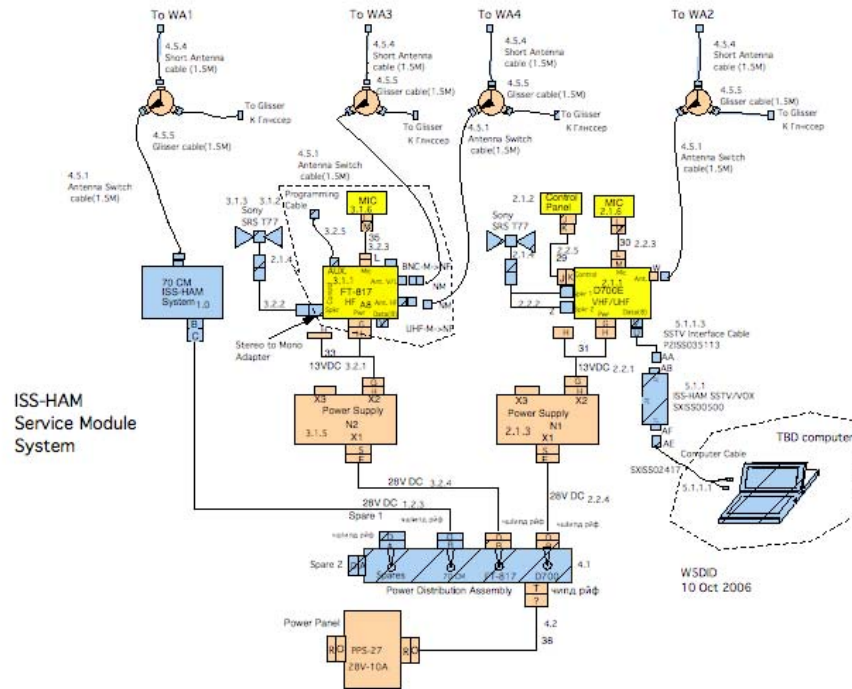
# Phase 2 Hardware development status

## Phase 2 System when complete



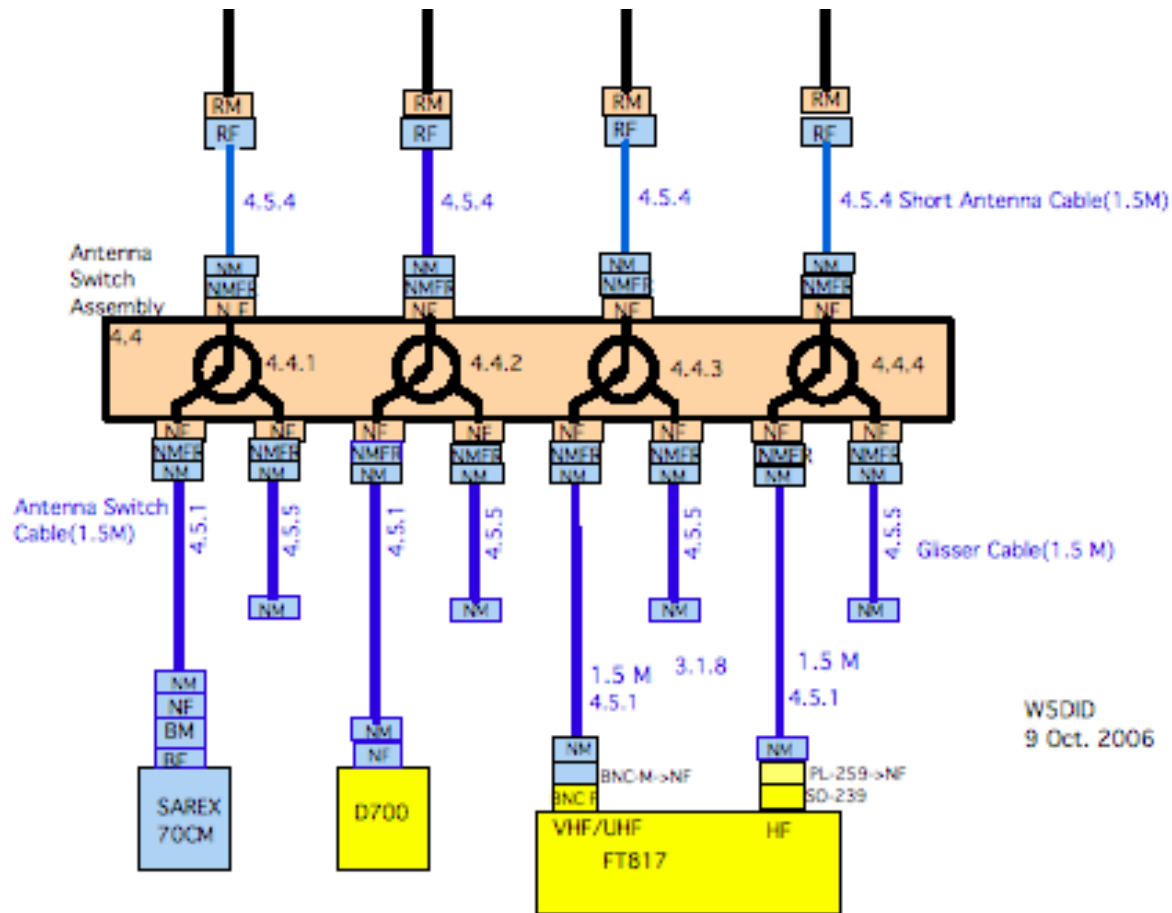


# Next Progress shipment





# Phase 2 RF Cables



WSDID  
9 Oct. 2006



# Next Shipment

- A31P Computer





# Future Shipments Phase 2

- FT817 System Consisting of :
  - FT817
  - MH-31 Microphone
  - RF System Cables
    - 4 Short Antenna Cables (P2ISS02454)
    - 4 Antenna Switch Cables (P2ISS02451)
    - 4 Glisser Cables (P2ISS02455)
- Power Distribution Box



# Power Switching Assembly

- Circuit modified during meeting Oct 6 and further During meeting at GSFC.
- Connector Changed
- Put circuit breakers back in change to cast aluminum box.
- Russian Connector delivery schedule
- Certification ?
  - By whom?
  - Tests required?



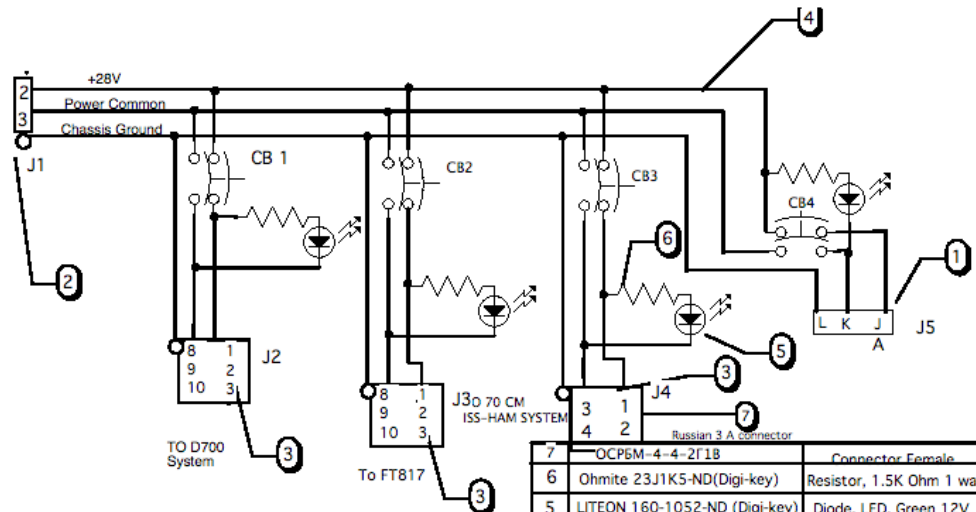
# Power Switching Assembly

- Aluminum casting box.
- Remove one U.S. Power connector and Add Russian 3.5 A connector





# Power Distribution box schematic



## Circuit Breaker Specifications

- 1 Fully Sealed Magnetic
- 2 Two Pole Hook Terminals
- 3 Series Configuration
- 4 D.C., 50/60Hz, 400Hz, Short Time Delay  
135% Trip
- 5 10.0 Ampere

7	ОСРБМ-4-4-2Г1В	Connector Female
6	Ohmite 23J1K5-ND(Digi-key)	Resistor, 1.5K Ohm 1 watt
5	LITEON 160-1052-ND (Digi-key)	Diode, LED, Green 12V
4	M39019/03-248	Magnetic Circuit Breaker 10A
3	nv TBM4-7-1314(F)	Connector Female
2	nv 2ТнФ 22 В4кx614(н)	Connector Male
1	MSS3470L14-12S or Equal A	Connector Female

Project <b>Amateur Radio on International Space Station</b>		
Title <b>ISS-HAM Phase 2 System Power Distribution</b>		
Part Number	Drawn By	Date
	L.W. McFadin	10/10/06
File Name	Approved	Size
DC Power distribution		B



# Power Cable

- Who will supply the main power cable?
- Russian connectors on each end.
- Who will need to certify it?



# Open Items

- RF Cables
- FT817
  - Programming Cable
  - Certification
  - Programming
    - Frequency selection
    - Parameter settings



# Tasks to be completed

- Fabricate RF cables
  - Four RF Switch cables
- Design and fabricate revised power switching box
- Deliver VC-H1
- Complete Suitsat 2