



ISS Hardware Status



Currently onboard

- Phase 1 70CM system consisting of the following:
 - Packet Module
 - Ericsson 70CM transceiver
 - Adapter Module
 - Power module
 - Headset (onboard STS-114)
 - 5 Associated cables
- Phase 2 Components consisting of the following:
 - D700E Transceiver
 - D700 Control panel
 - Russian control panel cable
 - 2 Russian Power supplies
 - D700 Microphone
 - Russian microphone cable
 - Antenna switch panel
 - Ham radio Table
 - SSTV Module
 - SSTV D700 Interface cable
 - SSTV Computer Cable



First shipment phase 2





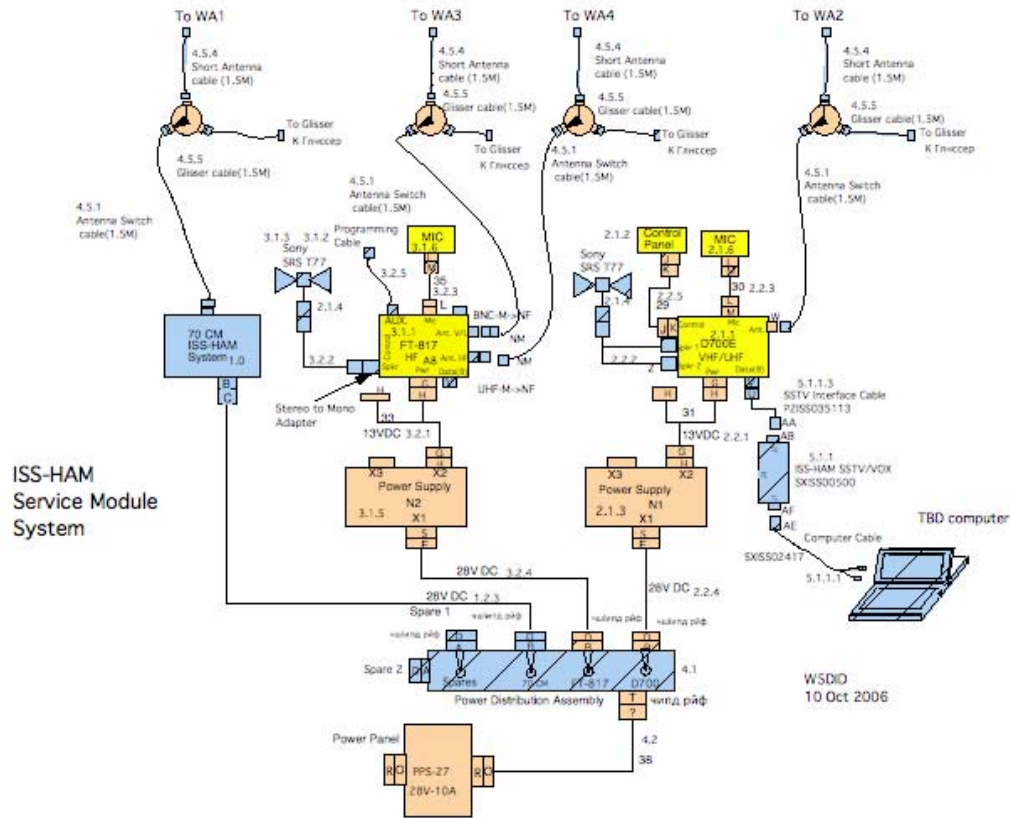
Phase 2 Equipment cont.





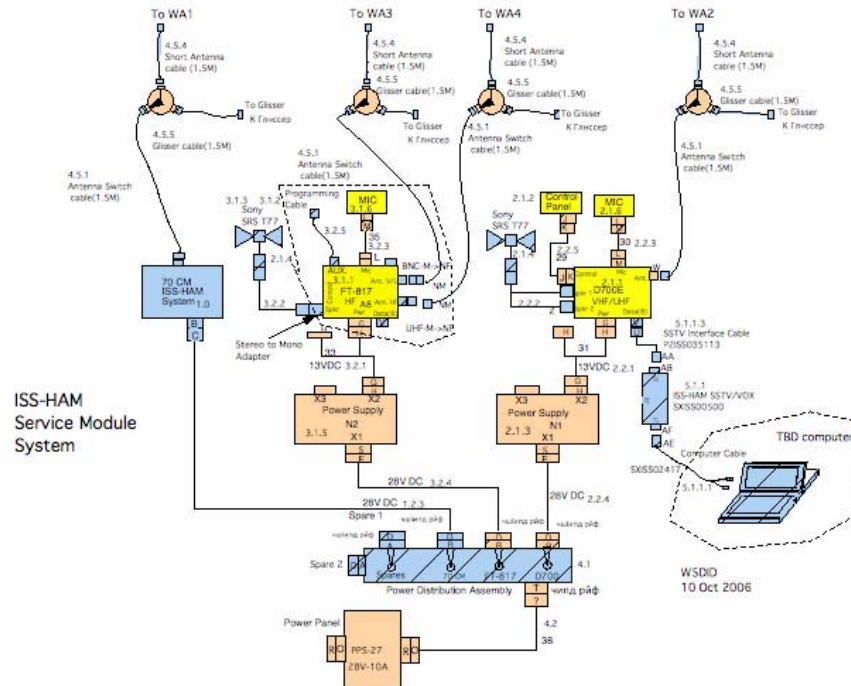
Phase 2 Hardware development status Oct 2006

Phase 2 System when complete



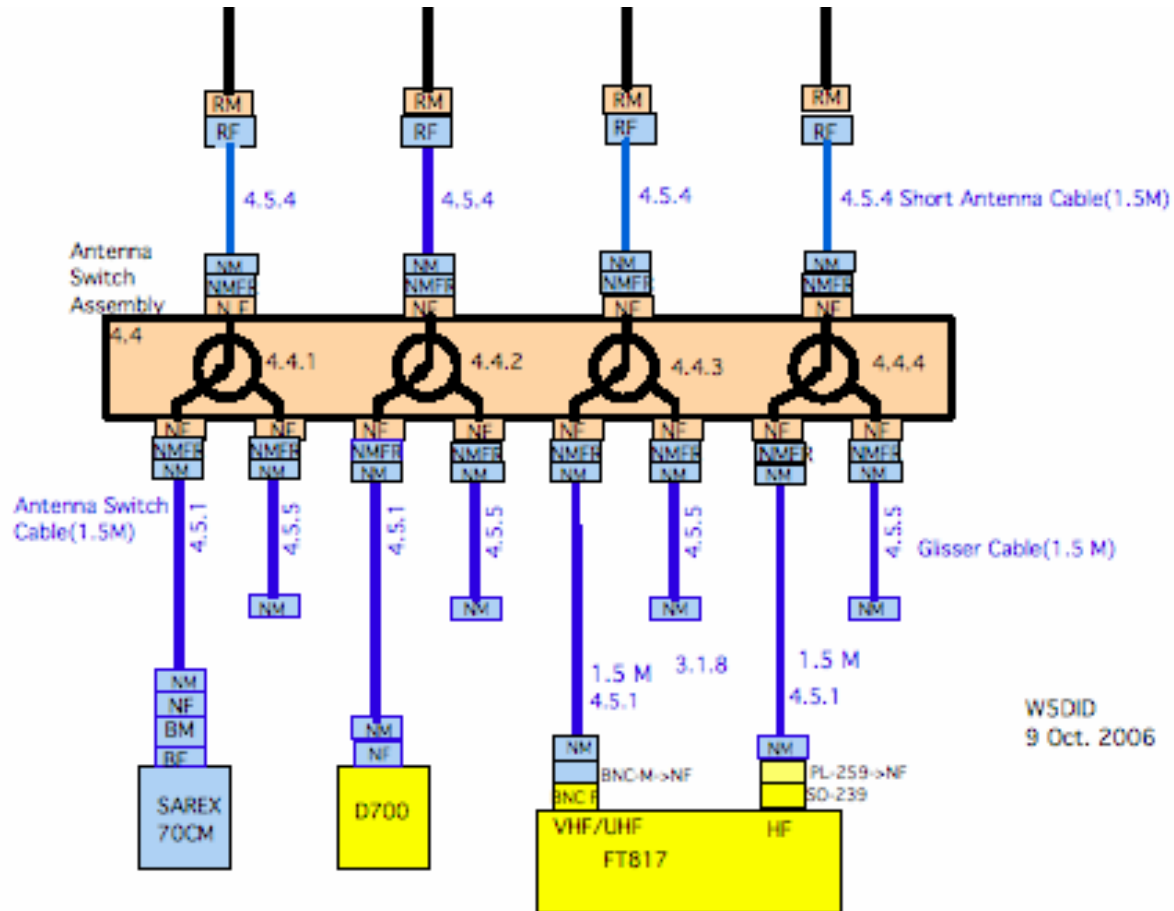


Next Progress shipment





Phase 2 RF Cables





Next Shipment

- A31P Computer



Future Shipments Phase 2

- FT817 System Consisting of :
 - FT817
 - MH-31 Microphone
 - RF System Cables
 - 4 Short Antenna Cables (P2ISS02454)
 - 4 Antenna Switch Cables (P2ISS02451)
 - 4 Glisser Cables (P2ISS02455)
- Power Distribution Box



Power Switching Assembly

- Circuit modified during meeting Oct 6 and further During meeting at GSFC.
- Connector Changed
- Put circuit breakers back in change to cast aluminum box.
- Russian Connector delivery schedule
- Certification ?
 - By whom?
 - Tests required?



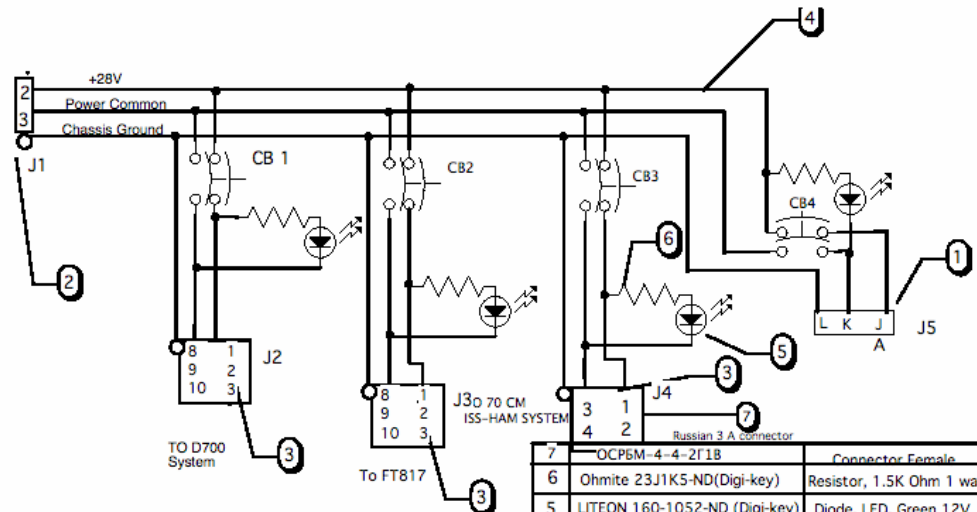
Power Switching Assembly

- Aluminum casting box.
- Remove one U.S. Power connector and Add Russian 3.5 A connector





Power Distribution box schematic



Circuit Breaker Specifications

- 1 Fully Sealed Magnetic
- 2 Two Pole Hook Terminals
- 3 Series Configuration
- 4 D.C.,50/60Hz,400Hz, Short Time Delay
135% Trip
- 5 10.0 Ampere

7	ОСРБМ-4-4-2Г1В	Connector Female
6	Ohmite 23J1K5-ND(Digi-key)	Resistor, 1.5K Ohm 1 watt
5	LITEON 160-1052-ND (Digi-key)	Diode, LED, Green 12V
4	M39019/03-248	Magnetic Circuit Breaker 10A
3	пв ТВМ4-7-1з1ч(F)	Connector Female
2	пв 2ТНФ 22 в4ыь61ч(н)	Connector Male
1	MSS470L14-12S or Equal A	Connector Female

Project Amateur Radio on International Space Station		
Title ISS-HAM Phase 2 System Power Distribution		
Part Number	Drawn By	Date
	L.W. McFadin	10/10/06
File Name	Approved	Size
DC Power distribution		B



Power Cable

- Who will supply the main power cable?
- Russian connectors on each end.
- Who will need to certify it?



Open Items

- RF Cables
- FT817
 - Programming Cable
 - Certification
 - Programming
 - Frequency selection
 - Parameter settings



Tasks to be completed

- Fabricate RF cables
 - Four RF Switch cables
- Design and fabricate revised power switching box