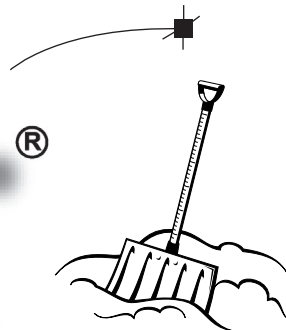


The AMSAT[®] Journal

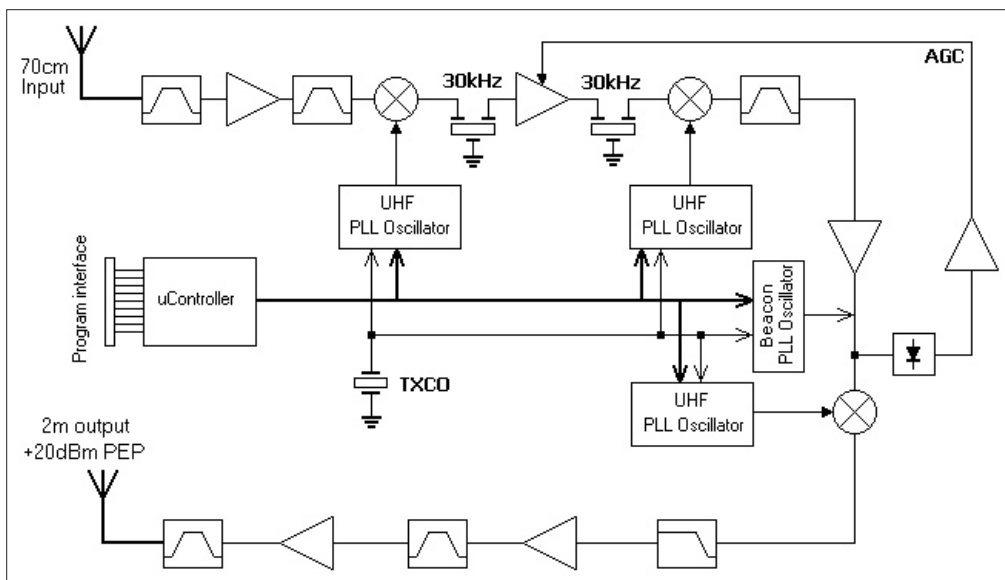


Editor-in-Chief:
Ed Long, WA4SWJ

Assistant Editors:
Bill Hook, W3QBC
Tim Lilley, N3TL
JoAnne Maenpaa, K9JKM

Volume 31, Number 6

November/December 2008



Tiny Transponder!



Get out and work the satellites!

in this issue

- AMSAT Announcements2
- Apogee View3
by Barry Baines • WD4ASW
- Linear Transponder for CubeSat...4
and Balloon Missions
by William Leijenaar • PE1RAH
- Handheld FM Satellite Stations ...6
Meeting FCC Part 97.1 with a
Surperb Tool for Recruiting New
Operators
by Timothy J. Lilley • N3TL
- A Simple but Effective Relay13
Driver for 24 or 28 Volt Relays
by Chuck Steer • WA3IAC
- Successful Ground Station16
Installation at the International
Space University in Strasbourg,
France
by Graham Shirville • G3VZV
- Like Father, Like Son -18
W5KWQ Celebrates W5LFL with
10-Day operation on the ISS
by Timothy J. Lilley • N3TL
- AMSAT-NA's Engineering21
Task Force
by Bill Ress • N6GHZ
- AMSAT Eagle - Building a23
Mission for Education
by JoAnne Maenpaa • K9JKM
- High Efficiency VHF Power.....28
Amplifier for Space Applications
by Marc Franco • N2UO

AMSAT-NA
850 Sligo Avenue, Suite 600
Silver Spring, MD 20910-4730

Periodicals

POSTAGE PAID

At Silver Spring, MD
and at additional
mailing offices