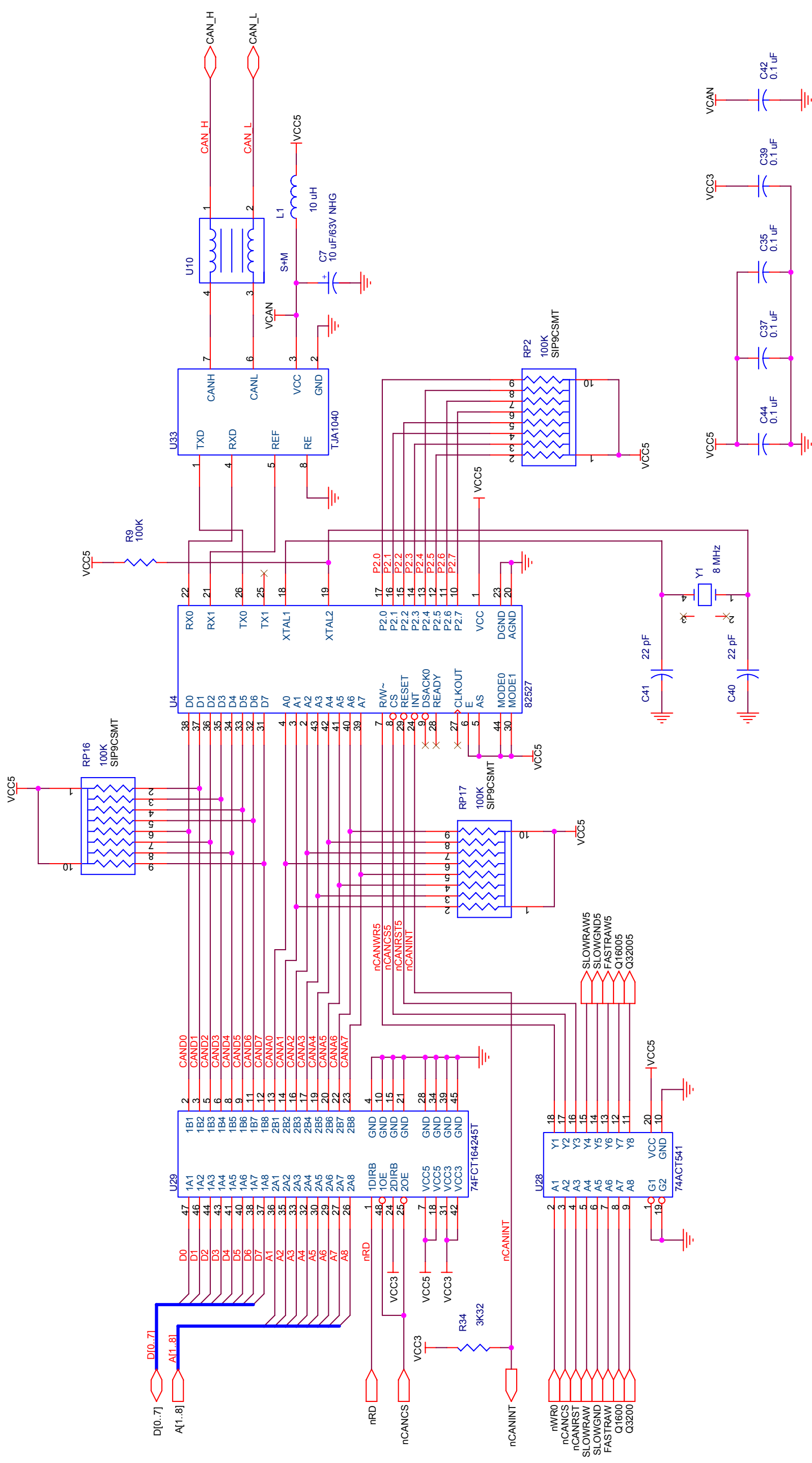
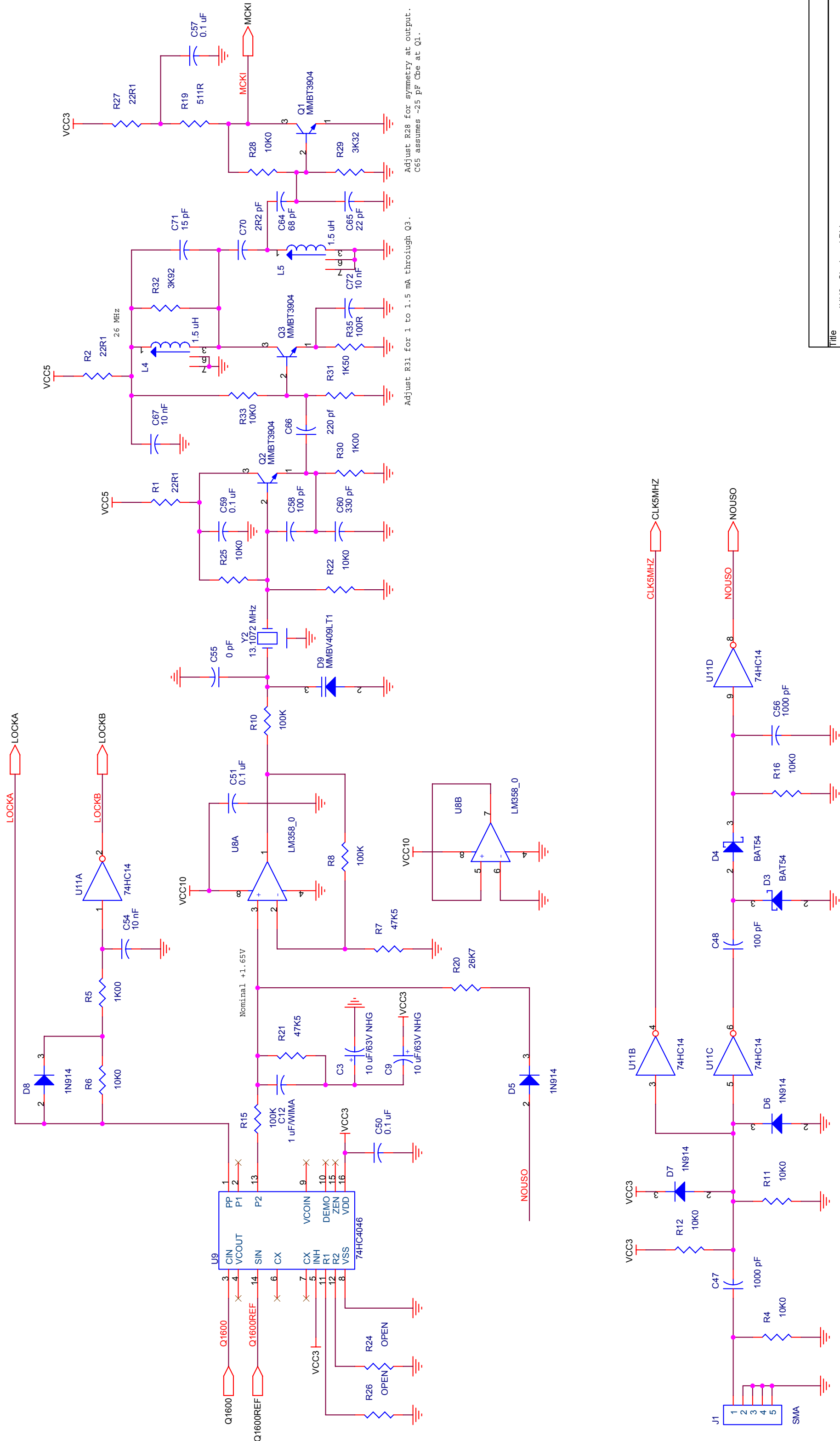


| | | | |
|-------|----------------------------|------------------|------------|
| Title | | IHU3 - Top Sheet | |
| Size | A | Document Number | 2003082201 |
| Date: | Tuesday, December 27, 2005 | Sheet | 1 of 10 |
| Rev | 3.0 | | |



| | | | |
|-------|----------------------------|-----------------|------------|
| Title | | IHU3 - CAN | |
| Size | B | Document Number | 2003082201 |
| Date: | Tuesday, December 27, 2005 | Sheet | 2 of 10 |
| Rev | 3.0 | | |



Adjust R28 for symmetry at output.
C65 assumes ~25 pF Cbe at Q1.

Adjust R31 for 1 to 1.5 mA through Q3.

Title
IHU3 - Clock and PLL

Size
B

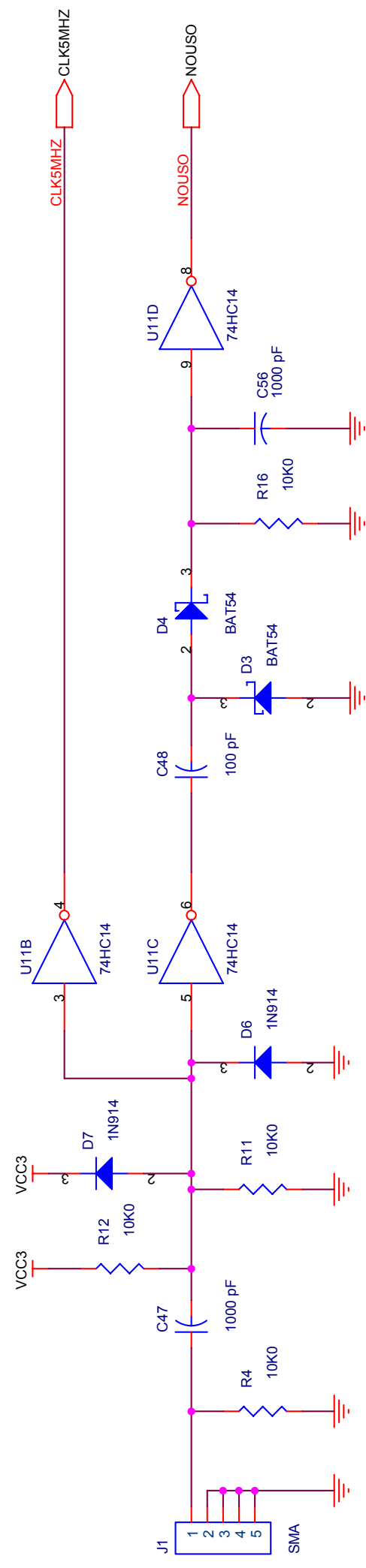
Document Number
2003082201

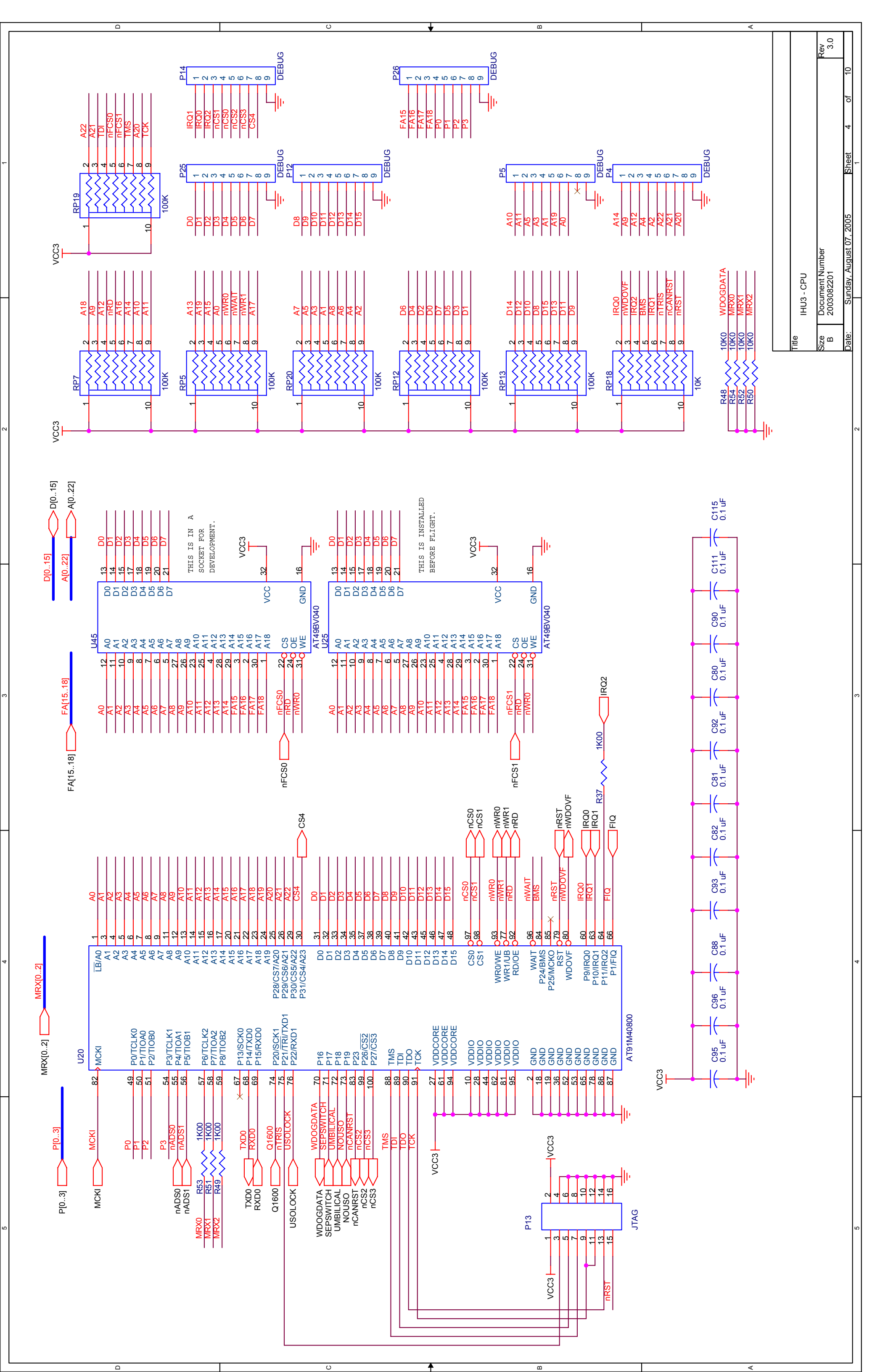
Date:
Tuesday, December 27, 2005

Sheet
3

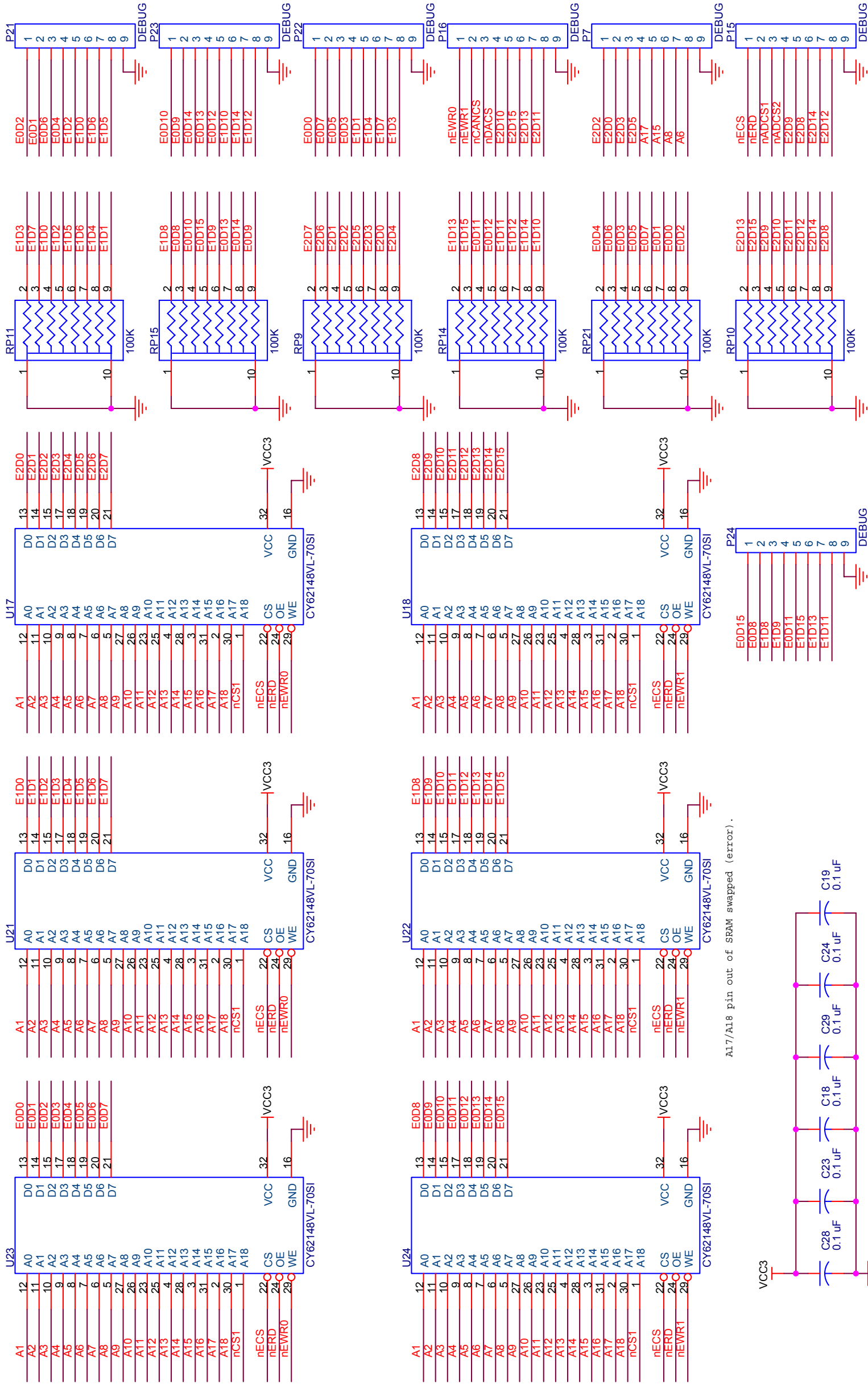
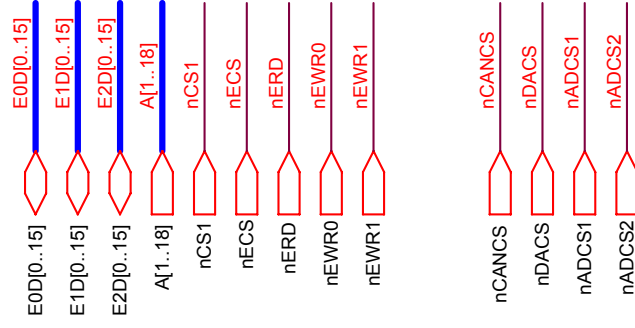
of
10

Rev
3.0

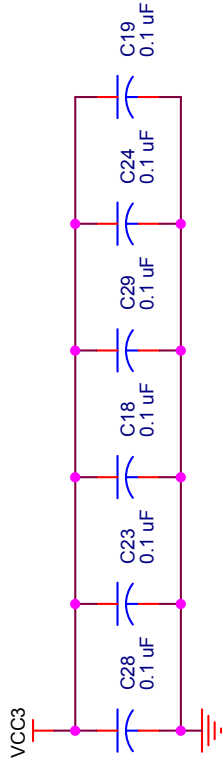




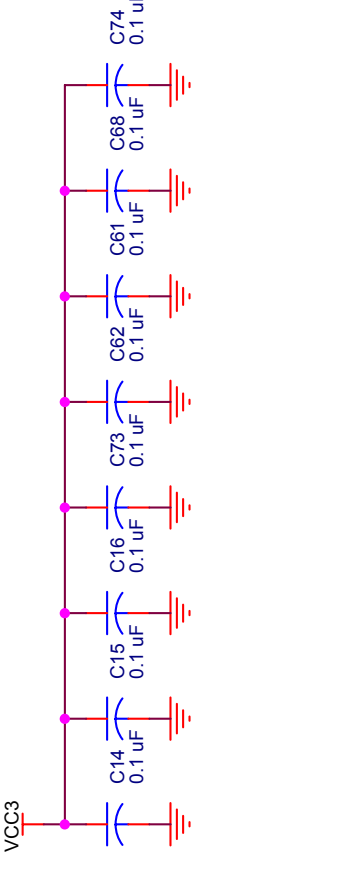
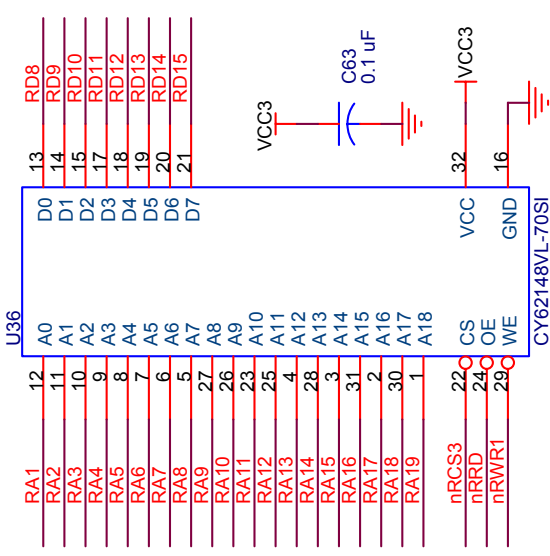
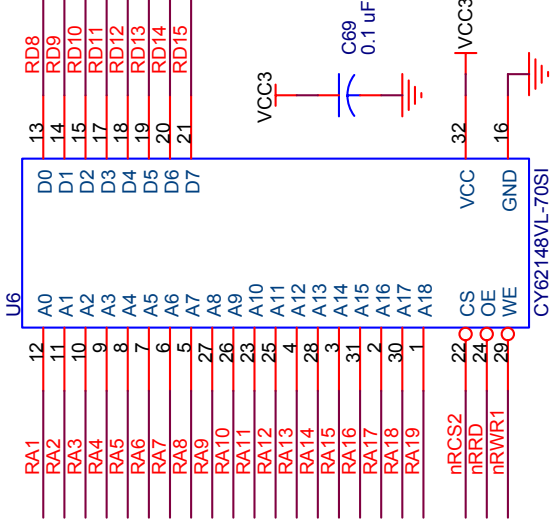
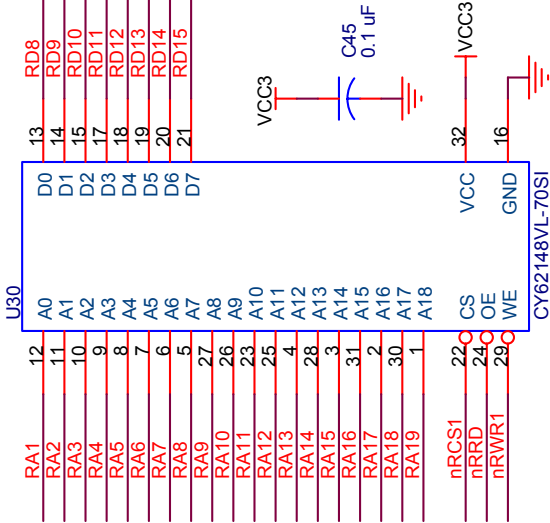
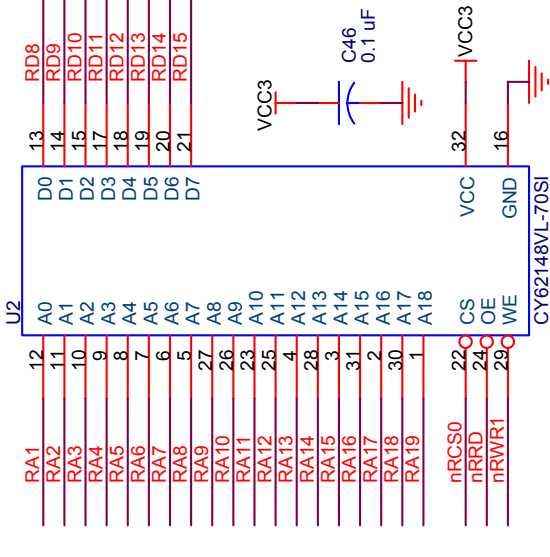
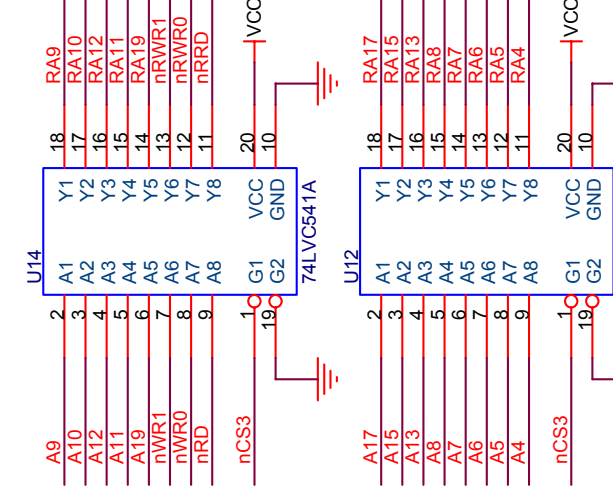
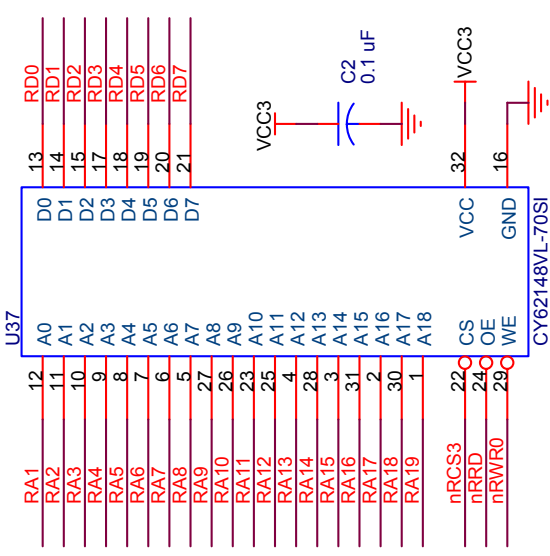
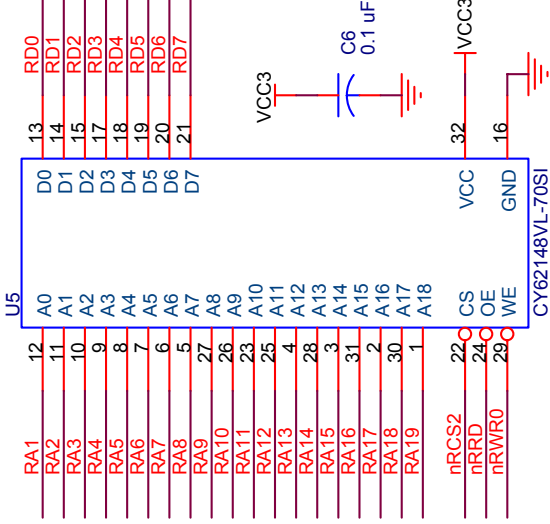
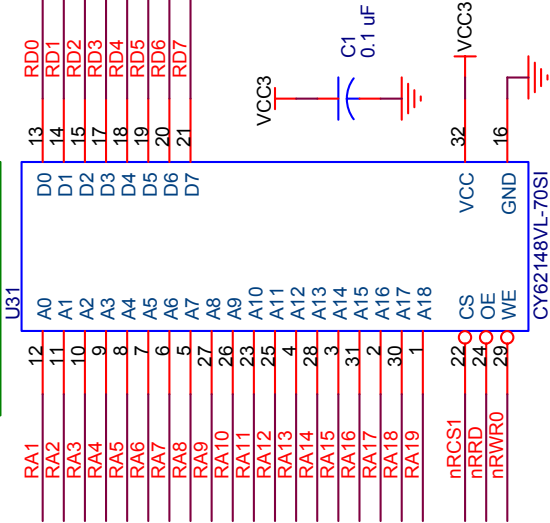
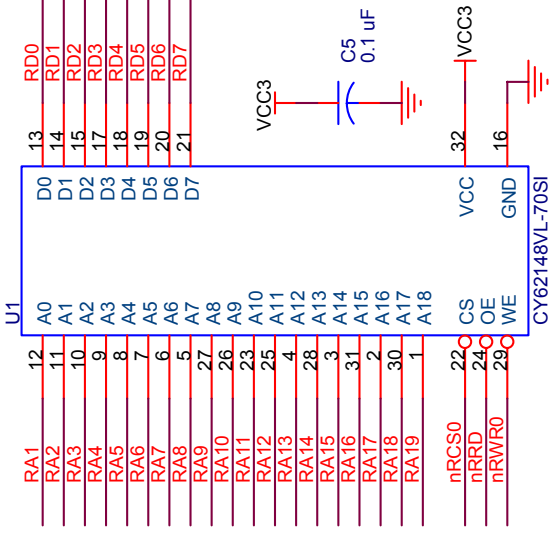
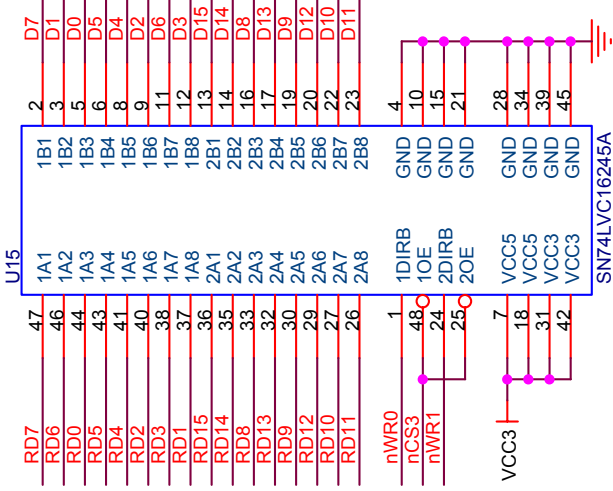
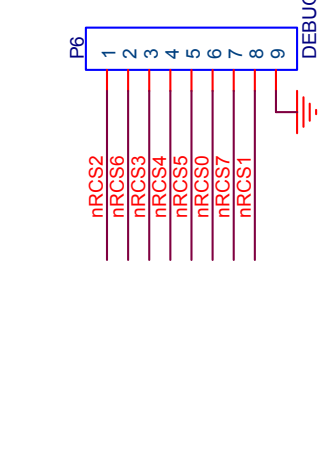
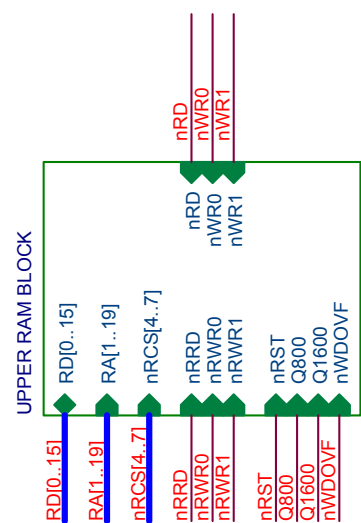
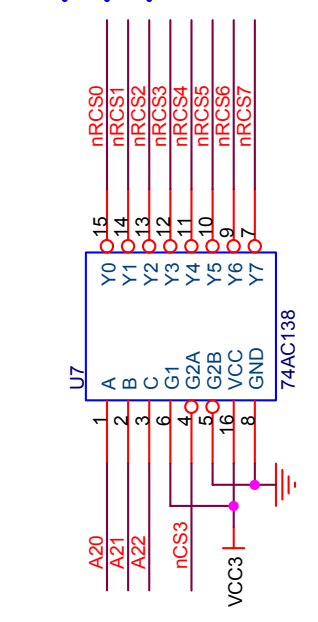
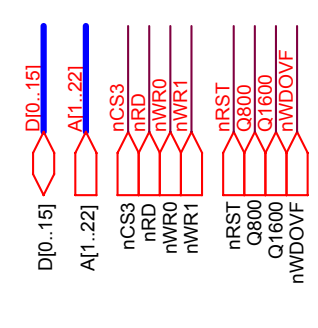
| | | | |
|-------|-------------------------|-----------------|------------|
| Title | | IHU3 - CPU | |
| Size | B | Document Number | 2003082201 |
| Date: | Sunday, August 07, 2005 | Sheet | 4 of 10 |
| Rev | 3.0 | | |



A17/A18 pin out of SRAM swapped (error).

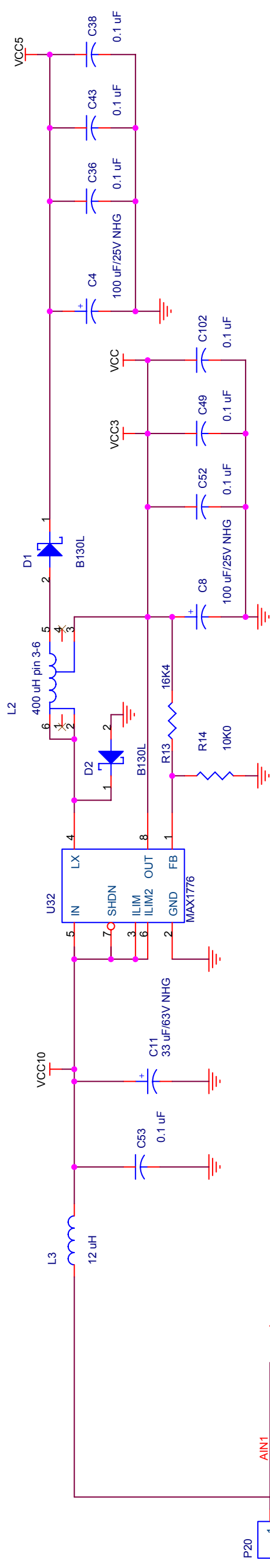


| | | | |
|-------|-------------------------|-----------------|------------|
| Title | | IHU3 - EDAC RAM | |
| Size | B | Document Number | 2003082201 |
| Date: | Sunday, August 07, 2005 | Sheet | 5 of 10 |
| Rev | 3.0 | | |

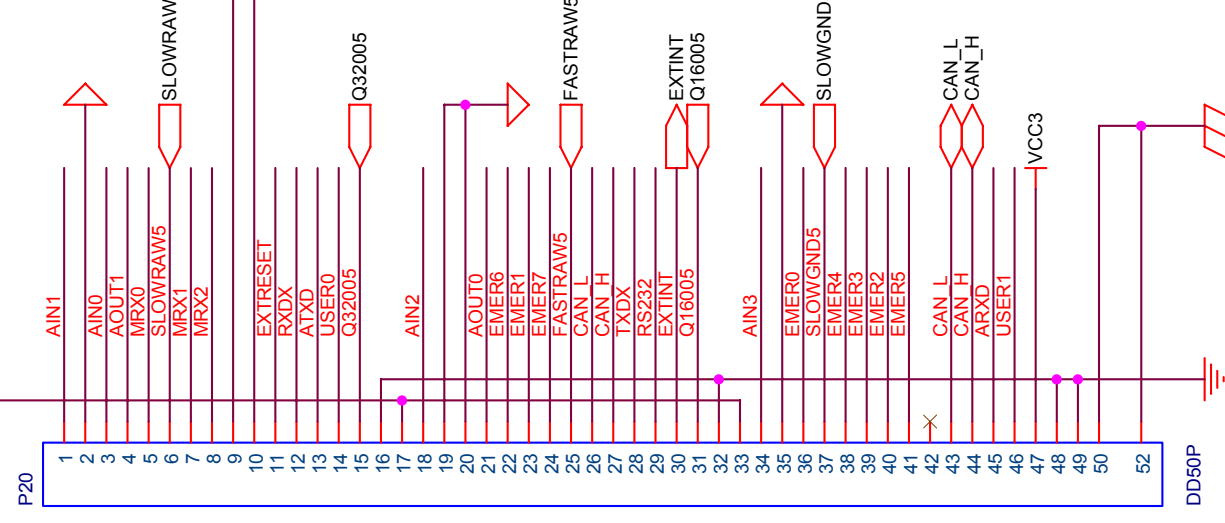


A17/A18 pin out of SRAM swapped (error).

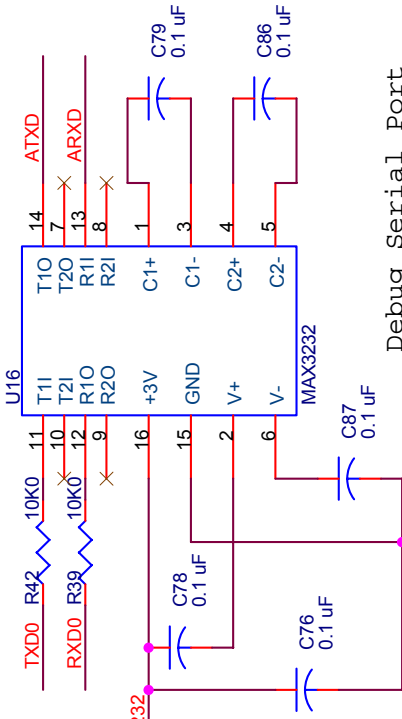
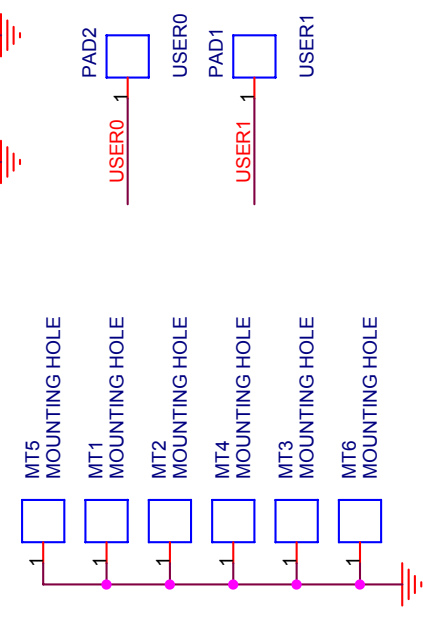
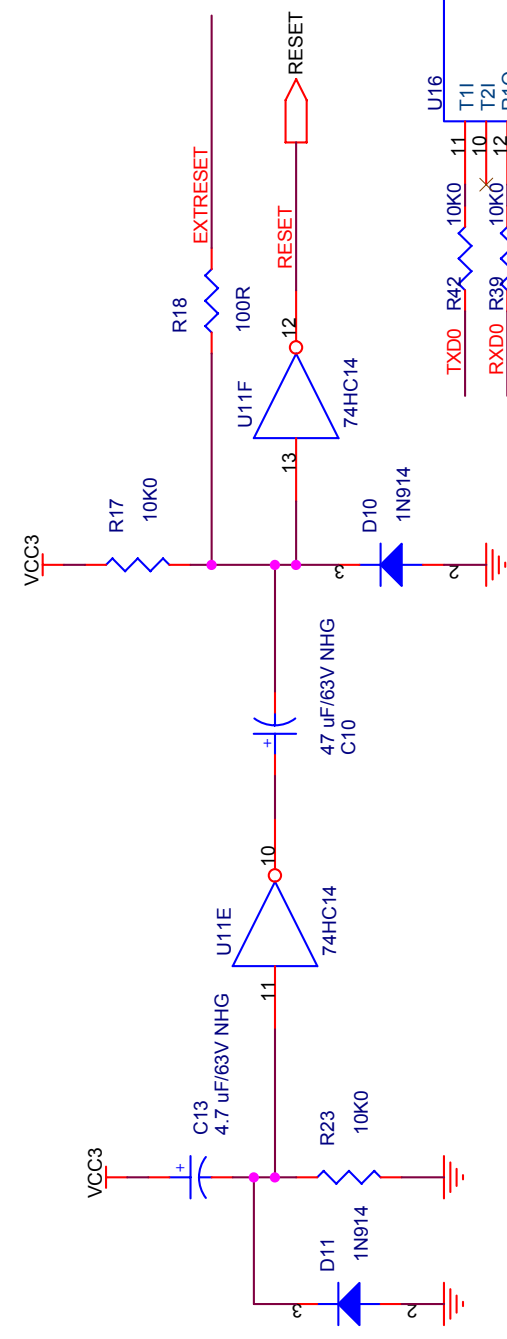
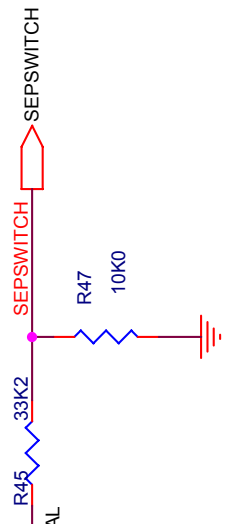
| | | | |
|-------|----------------------------|---|------------|
| Title | | IHU3 - Mass Memory, Buffering and Lower 4 Megabytes | |
| Size | B | Document Number | 2003082201 |
| Date: | Tuesday, December 27, 2005 | Sheet | 7 of 10 |
| Rev | 3.0 | | |



L3 Notes:
 32t pins 1-3
 15t pins 3-5
 47t total, single winding
 RM6 form, AL400 permeability



P20 Pin 52 is mounting hole near pin 50. It is floating. The mounting hole/frame must be tied to the IHU3 chassis for pin 50 to provide frame ground.



Title
 IHU3 - POWER and Spacecraft Interface

Size
 B

Document Number
 2003082201

Rev
 3.0

Date:
 Tuesday, December 27, 2005

Sheet
 10

of
 10