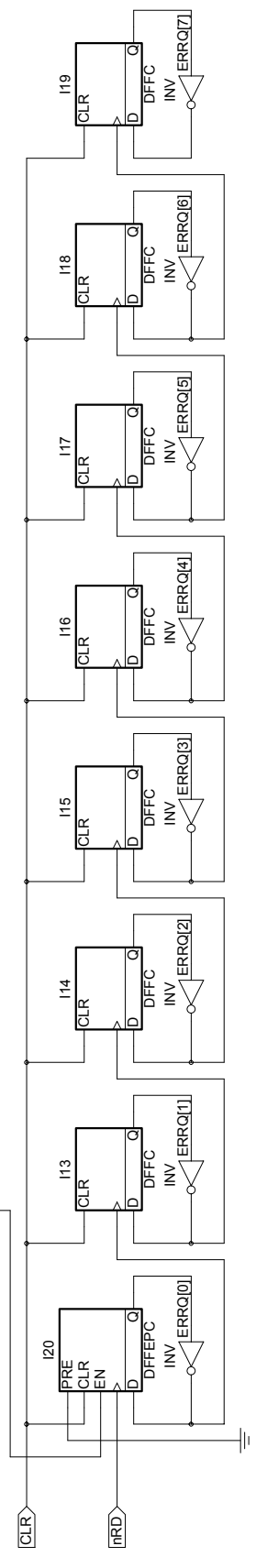
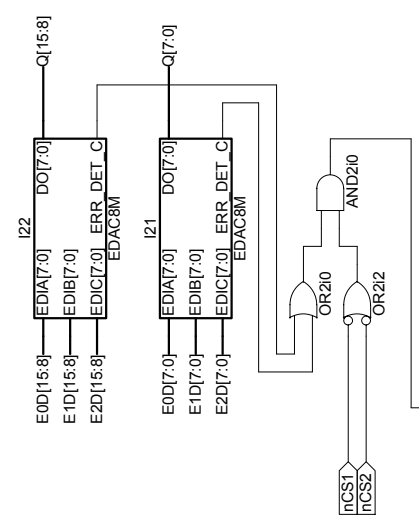


TRUTH TABLE

NCS1	NCS2	ERR[15:8]	ERR[7:0]	NRD	ERRQ
0	0	0	0	X	QN
1	0	0	0	X	QN
0	1	0	0	X	QN
1	1	0	0	X	QN
0	0	1	0	^	QN+1
1	0	1	0	^	QN+1
0	1	1	0	^	QN+1
1	1	1	0	^	QN+1
0	0	0	1	^	QN+1
1	0	0	1	^	QN+1
0	1	0	1	^	QN+1
1	1	0	1	^	QN+1
0	0	1	1	^	QN+1
1	0	1	1	^	QN+1
0	1	1	1	^	QN+1
1	1	1	1	^	QN+1
X	X	X	X	0	QN
X	X	X	X	1	QN



^ indicates rising edge.
 The error counter only advances on the rising edge of nRD if there is an error detected from the EDAC8M blocks, and either of the nCS inputs are LOW.

QuickLogic Corporation
 1277 Orleans Drive
 Sunnyvale, CA 94089